

1254,AUS=2- 7 Escutcheon with rain protection cover

Door fittings

Escutcheons

With spring-loaded cover



Doors and openings of cars, containers, machines or switch cupboards are locked securely by means of locking cylinders. Often these locking cylinders are exposed to extreme weather conditions. Such heavy demands on the locking cylinders can lead to more rapid wear and limited functionality. Failure of the locking function because of weather conditions or dirt and dust can have serious consequences in an emergency. To avoid this situation, ASSA ABLOY Sicherheitstechnik has developed an innovative spring-mounted escutcheon that offers round cylinders optimum protection from external weather conditions.

Area of Application

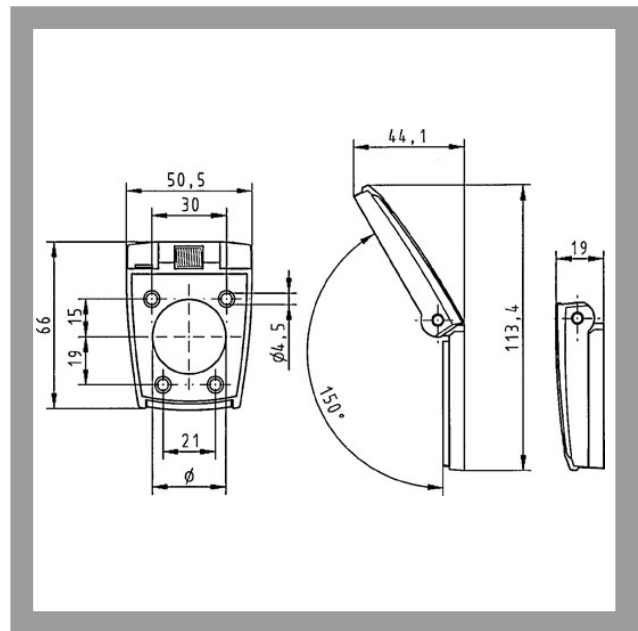
The new IKON escutcheon with a twin protective cover provides cylinders with optimum protection against dirt and rain in extreme climate conditions - on outside doors and shutters, for instance.

IKON
ASSA ABLOY

ASSA ABLOY, the global leader
in door opening solutions

1254,AUS=2- 7 Escutcheon with rain protection cover

With spring-loaded cover



Product description

- Automatic spring-mounted cover locking
- Optimum protection from rain and water splashes, dirt, dust and also stones (incl. concealed drainpipes)
- Possible to open the cover without use of tools
- Ensures an unproblematic operation of the key for opening and closing and offers the best possible protection of the locking channel
- AUS=2 hole diameter 29,5mm; AUS=3 hole diameter 31mm; AUS=4 hole diameter 19,4mm; AUS=5 hole diameter 21,5mm; AUS=6 hole diameter 23,5mm; AUS=7 hole diameter 25,5mm
- Simple fitting and stable 4-way screws connection or over the cylinder head with housing nut
- Aesthetically pleasing design, high-quality processed plastic, coloured black (RAL9004), further RAL colours on request
- Weather and UV resistant and shockproof
- Seawaterproof version of all metal components
- External dimensions maximum width 50mm, height 66mm, depth 19mm
- The company logo on the cover can be designed individually

Compatible ASSA ABLOY products

- External cylinder .050
- External cylinder .063
- Switching cylinder .457
- Universal locking lever cylinder - System MK5 2059
- Universal locking lever cylinder - System MK5 2103
- Universal locking lever cylinder - System MK5 2186
- Universal locking lever cylinder .211
- Locking lever cylinder .923 / .43

Scope of delivery

- 1 escutcheon

ZIKON
ASSA ABLOY

1254,AUS=2- 7 Escutcheon with rain protection cover

With spring-loaded cover

Article-No.	FB=	AUS=
1254,AUS=2-7	SW	2
	SW	3
	SW	4
	SW	5
	SW	6
	SW	7

ASSA ABLOY
Sicherheitstechnik GmbH
Goerzallee 299
14167 Berlin
berlin@assaabloy.de
Tel. +4930 8106-0
Fax +4930 8106-26 00
www.assaabloy.de



ASSA ABLOY, the global leader
in door opening solutions