

SM28,AUS=B/14 Security fitting 2929 - handle/handle

Door fittings

Special security fittings

Sandwich design cap fitting - for fire protection doors



IKON provides a broad selection of security fittings and escutcheons, with or without cylinder covers. The wide range of IKON fittings is suitable for house and apartment doors, interior and exterior doors and doors made of all conventional materials. It encompasses a variety of handle fittings, a broad range of anodised finishes and colours and a quality spectrum ranging from solid aluminium fittings to premium security steel fittings. Solid steel with drilling protection and internal screw fittings with high tensile resistance form a practically impervious shield for locking cylinders.

Area of Application

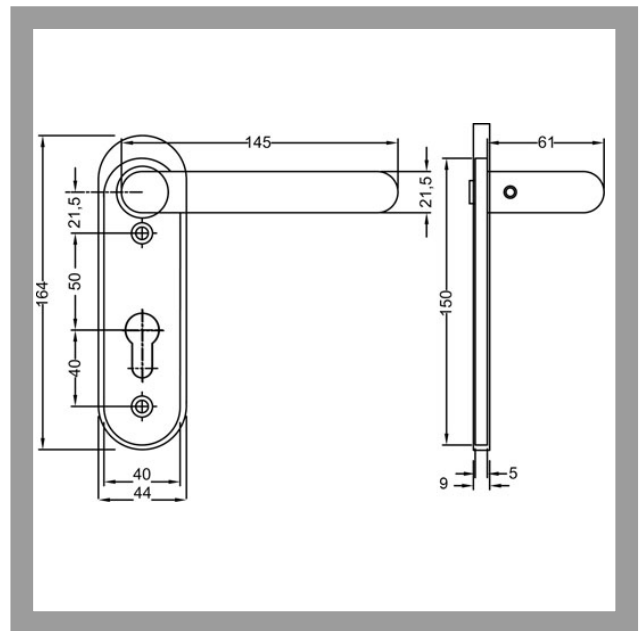
These IKON security fittings are approved for use on fire doors conforming to DIN 18273 but not suitable for use on metal frame doors.

IKON
ASSA ABLOY

ASSA ABLOY, the global leader
in door opening solutions

SM28,AUS=B/14 Security fitting 2929 - handle/handle

Sandwich design cap fitting - for fire protection doors



Product description

- Basic solid steel design Steel core in handle - Covered with black plastic cap complies with DIN 18273
- External backplate thickness 9mm - Internal backplate thickness 9mm
- Distance 72mm with 9mm spindle for fire doors (ABM=72/9)
- Double concealed screw
- Standard finish black (FB=SW)
- Available for door thicknesses 44-66mm, prepared for profile cylinder
- Oval design

Compatible ASSA ABLOY products

- Double cylinder .551
- Double cylinder .531

Scope of delivery

- 1 Set with fixing material



SM28,AUS=B/14 Security fitting 2929 - handle/handle

Sandwich design cap fitting - for fire
protection doors

Article-No.

SM28 46298

ASSA ABLOY
Sicherheitstechnik GmbH
Goerzallee 299
14167 Berlin
berlin@assaabloy.de
Tel. +4930 8106-0
Fax +4930 8106-26 00
www.assaabloy.de



ASSA ABLOY, the global leader
in door opening solutions