

# 1531 Dummy cylinder

Mechanical locking cylinders

Dummy cylinder

Double cylinder - both sides dummy



Locking cylinders form the core element of secure locking systems and represent IKON's core competency. The product range meets challenging security requirements with sophisticated solutions. High-quality IKON locking cylinders provide high protection against intruders. Standard equipment in this respect includes anti-drilling devices, security cards and panic functions. Patented profiles are a direct result of decades of experience gained in precision engineering and are effectively equipped against even the latest intrusion or burglary techniques. These features include innovative VECTOR profiles and the IKON reversible key profile WSW-W10.

## Area of Application

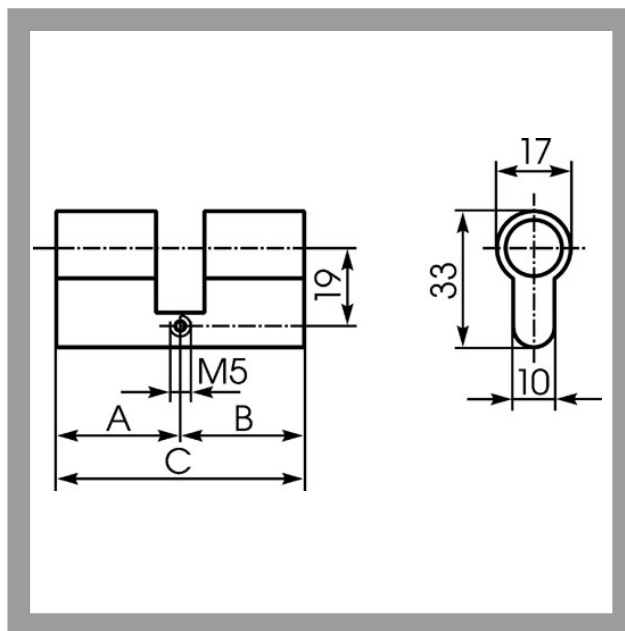
Dummy cylinders are frequently used in areas without security requirements. Dummy cylinders are mainly used to seal profile cylinder holes and do not have any locking function.

**IKON**  
ASSA ABLOY

ASSA ABLOY, the global leader  
in door opening solutions

# 1531 Dummy cylinder

Double cylinder - both sides dummy



## Product description

- Brass cylinder
- Standard finish, satin nickel-plated (OF=MV)
- Other surfaces: brass, mat brushed (OF=MG), polished brass (OF=MP)
- Basic cylinder length 61mm (C) - A/B (L=30/30) other installation lengths available
- Please do not order this item with a lock number - It is a non-locking item.

## Accessories/Individual parts

- Cylinder fixing screw 1149

## Scope of delivery

- 1 dummy cylinder
- 1 cylinder fixing screw M5 x 85mm

**ZIKON**  
**ASSA ABLOY**

# 1531 Dummy cylinder

Double cylinder - both sides dummy

Article-No.	OF=	L=
1531	MV	30/30
	MG	30/30
	MP	30/30



ASSA ABLOY  
Sicherheitstechnik GmbH  
Goerzallee 299  
14167 Berlin  
berlin@assaabloy.de  
Tel. +4930 8106-0  
Fax +4930 8106-26 00  
www.assaabloy.de

ASSA ABLOY, the global leader  
in door opening solutions