

1532 Dummy cylinder

Mechanical locking cylinders

Dummy cylinder

Half cylinder - dummy



Locking cylinders form the core element of secure locking systems and represent IKON's core competency. The product range meets challenging security requirements with sophisticated solutions. High-quality IKON locking cylinders provide high protection against intruders. Standard equipment in this respect includes anti-drilling devices, security cards and panic functions. Patented profiles are a direct result of decades of experience gained in precision engineering and are effectively equipped against even the latest intrusion or burglary techniques. These features include innovative VECTOR profiles and the IKON reversible key profile WSW-W10.

Area of Application

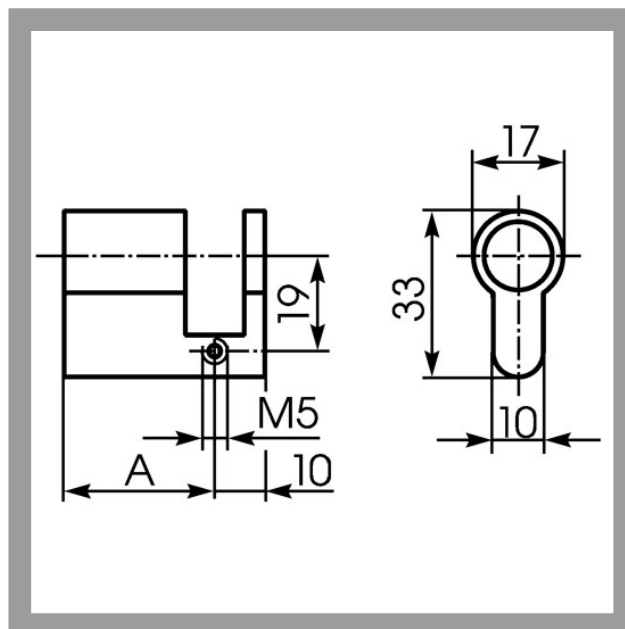
Dummy cylinders are frequently used in areas without security requirements. Dummy cylinders are mainly used to seal profile cylinder holes and do not have any locking function.


ASSA ABLOY

ASSA ABLOY, the global leader
in door opening solutions

1532 Dummy cylinder

Half cylinder - dummy



Product description

- Brass cylinder
- Standard finish, satin nickel-plated (OF=MV)
- Other surfaces: brass, mat brushed (OF=MG), polished brass (OF=MP)
- Basic cylinder length A (L=30) other installation lengths available
- Please do not order this item with a lock number - It is a non-locking item.

Accessories/Individual parts

- Cylinder fixing screw 1149

Scope of delivery

- 1 dummy half cylinder
- 1 cylinder fixing screw M5 x 85mm

ZIKON
ASSA ABLOY

ASSA ABLOY, the global leader
in door opening solutions

1532 Dummy cylinder

Half cylinder - dummy

Article-No.	OF=	L=
1532	MV	30
	MG	30
	MP	30



ASSA ABLOY
Sicherheitstechnik GmbH
Goerzallee 299
14167 Berlin
berlin@assaabloy.de
Tel. +4930 8106-0
Fax +4930 8106-26 00
www.assaabloy.de

ASSA ABLOY, the global leader
in door opening solutions