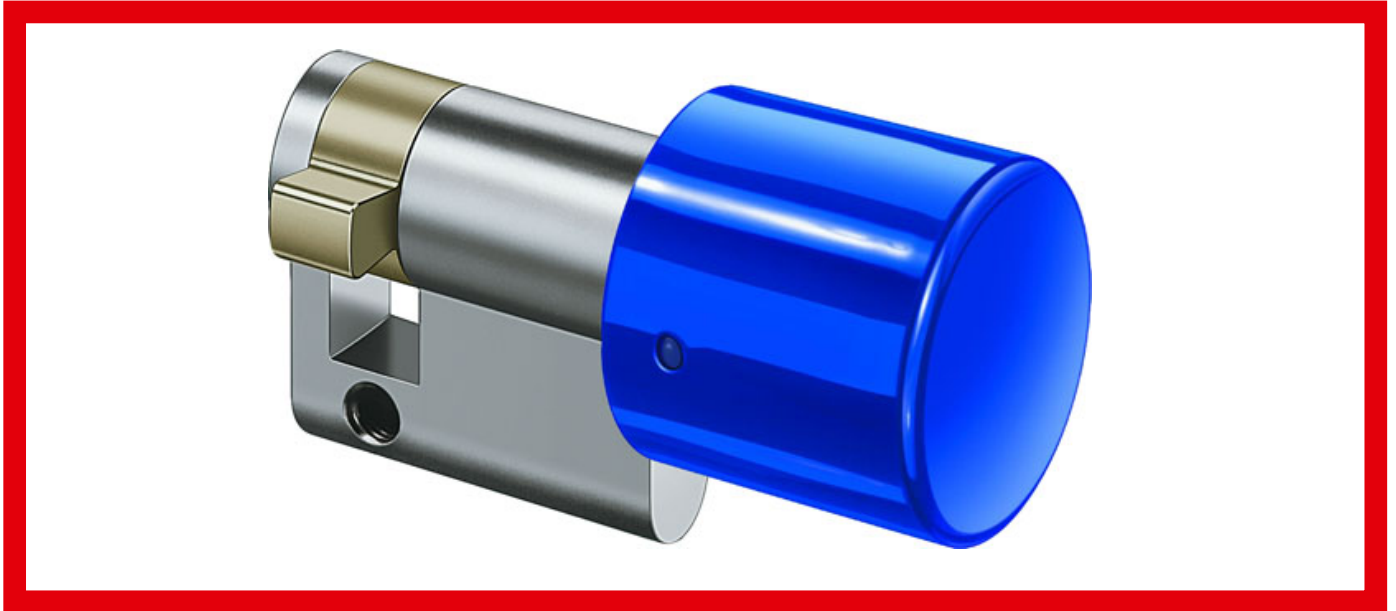


1535,KNF=7 Knob half-cylinder

Mechanical locking cylinders

Special knob cylinder

Locking function on one side with knob



Locking cylinders form the core element of secure locking systems and represent IKON's core competency. The product range meets challenging security requirements with sophisticated solutions. High-quality IKON locking cylinders provide high protection against intruders. Standard equipment in this respect includes anti-drilling devices, security cards and panic functions. Patented profiles are a direct result of decades of experience gained in precision engineering and are effectively equipped against even the latest intrusion or burglary techniques. These features include innovative VECTOR profiles and the IKON reversible key profile WSW-W10.

Area of Application

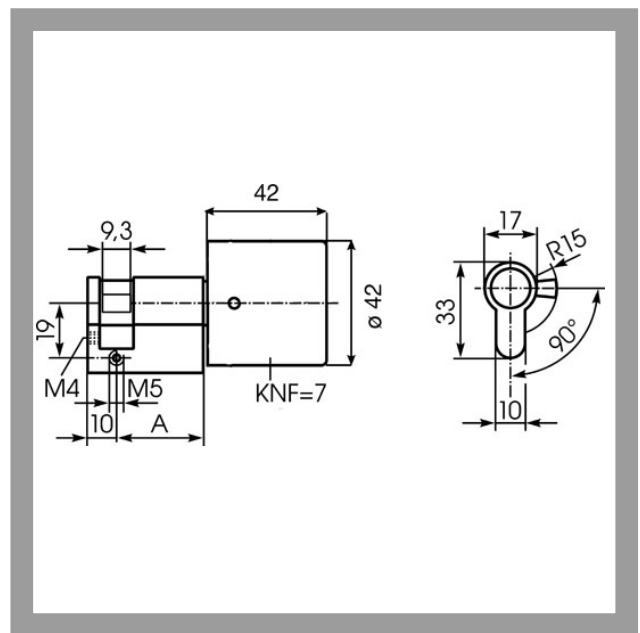
Knob cylinders are often used in building side entrances which are not intended to be opened or entered from the outside. However, it should be possible to retrofit the doors at a later date by simply changing the cylinder so that they can then be opened from both sides. The knob on the inside is used to close the door easily, which means no key is needed for the inside. IKON supplies different knob designs, from a knurled knob through to a recessed grip knob. Due to the nature of their design, knob cylinders are particularly easy to use by old and young alike.


ASSA ABLOY

ASSA ABLOY, the global leader
in door opening solutions

1535,KNF=7 Knob half-cylinder

Locking function on one side with knob



Product description

- Round nylon knob, 42mm diameter
- Brass cylinder
- Standard knob colour blue (KNF=7BL)
- Other knob colours: brown (KNF=7BN), yellow (KNF=7GE), red (KNF=7RT), dark blue (KNF=7DBL), green (KNF=7GN), white (KNF=7WS), dark green (KNF=7DGN), grey (KNF=7GR), black (KNF=7SW), dark red (KNF=7DRT), light grey (KNF=7LGR), silver (KNF=7F1)
- Standard finish, satin nickel-plated (OF=MV)
- Other surfaces: brass, mat brushed (OF=MG), polished brass (OF=MP)
- Standard cylinder length 31mm (C) - A/B L(30/-) - see TK5 system for other installation lengths
- Standard cam position (SST=90°)
- Knob shaft extension in mm (KWV=20, 30, 40, 50, 60, 70, 80, 90, 100)
- Cam made of break and corrosion-resistant nickel silver profile
- Locking function on one side with knob, dummy on other side
- Please do not order this item with a lock number - It is a non-locking item.

Accessories/Individual parts

- Cylinder fixing screw 1149

Scope of delivery

- 1 knob half cylinder
- 1 cylinder fixing screw M5 x 85mm

ZIKON
ASSA ABLOY

1535,KNF=7 Knob half-cylinder

Locking function on one side with knob

Article-No.	KNF=	OF=	L=
1535,KNF=7	7BL	MV	30
	7BL	MG	30
	7BL	MP	30



ASSA ABLOY
Sicherheitstechnik GmbH
Goerzallee 299
14167 Berlin
berlin@assaabloy.de
Tel. +4930 8106-0
Fax +4930 8106-26 00
www.assaabloy.de

ASSA ABLOY, the global leader
in door opening solutions