

1M41,AUS=234 Key escutcheon screws visible

Door fittings

Escutcheons



The IKON construction and internal door fittings range covers a broad spectrum of applications and utilisation options. The range encompasses fittings, backplates, roses, escutcheons, handles and knobs for doors and windows. IKON also provides a large selection of premium-quality fittings for metal and UPVC frame doors. For example, the shortened 290/30 metal handle with retraction spring on a rose with concealed screws. The 474 handle on a rose is distinguished by its shortened U-shape, which provides the hand with particularly good hold.

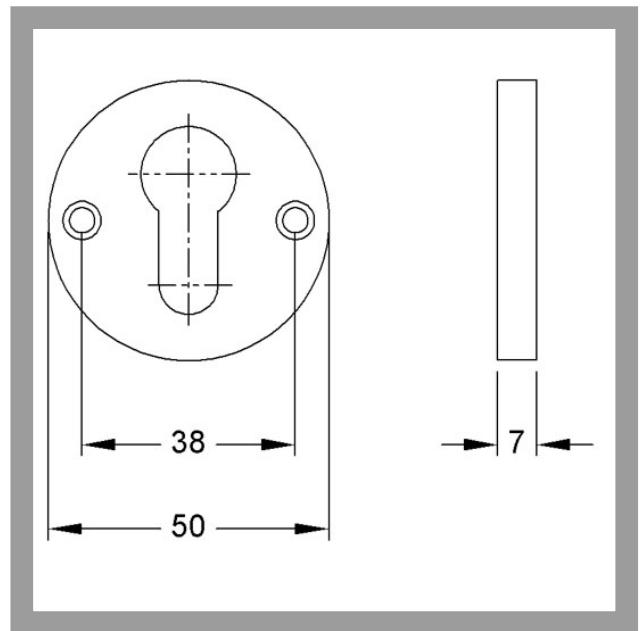
Area of Application

IKON aluminium escutcheons can be used for a variety of applications. Round, oval and squared escutcheons are utilised, either as dummy versions prepared for profile cylinders or handle roses accepting the door handle.


ASSA ABLOY

ASSA ABLOY, the global leader
in door opening solutions

1M41,AUS=234 Key escutcheon screws visible



Product description

- Distance between fixing holes 38mm
- With 2 fixing holes
- Screw hole diameter 5mm
- Standard version prepared for profile cylinder (VAR=PZ)
- Rose diameter 50mm
- Standard finish nickel silver (FB=F2)
- Material: aluminium
- Round
- Rose thickness 7mm
- Alternative colours: silver (FB=F1) gold (FB=F3), Meta Colour 1003 coated (FB=MC), white RAL 9016 coated (FB=WS)
- Other versions: prepared for tumbler key (VAR=BB)

Compatible ASSA ABLOY products

- Double cylinder .551
- Double cylinder .531

Scope of delivery

- 1 Pair of key escutcheons without fixing material



1M41,AUS=234 Key escutcheon screws visible

Article-No.	FB=	VAR=
1M41 44357	F2	PZ
1M41 44362	F2	BB
1M41 44356	F1	PZ
1M41 44361	F1	BB

ASSA ABLOY
Sicherheitstechnik GmbH
Goerzallee 299
14167 Berlin
berlin@assaabloy.de
Tel. +4930 8106-0
Fax +4930 8106-26 00
www.assaabloy.de



ASSA ABLOY, the global leader
in door opening solutions