

# SM12,AUS=W/273 Security fitting 691 with cylinder cover - offset square knob/U-shaped handle

Door fittings

Security fittings with cylinder cover

Long backplate for metal frame doors



IKON provides a broad selection of security fittings and escutcheons, with or without cylinder covers. The wide range of IKON fittings is suitable for house and apartment doors, interior and exterior doors and doors made of all conventional materials. It encompasses a variety of handle fittings, a broad range of anodised finishes and colours and a quality spectrum ranging from solid aluminium fittings to premium security steel fittings. Solid steel with drilling protection and internal screw fittings with high tensile resistance form a practically impervious shield for locking cylinders.

#### Area of Application

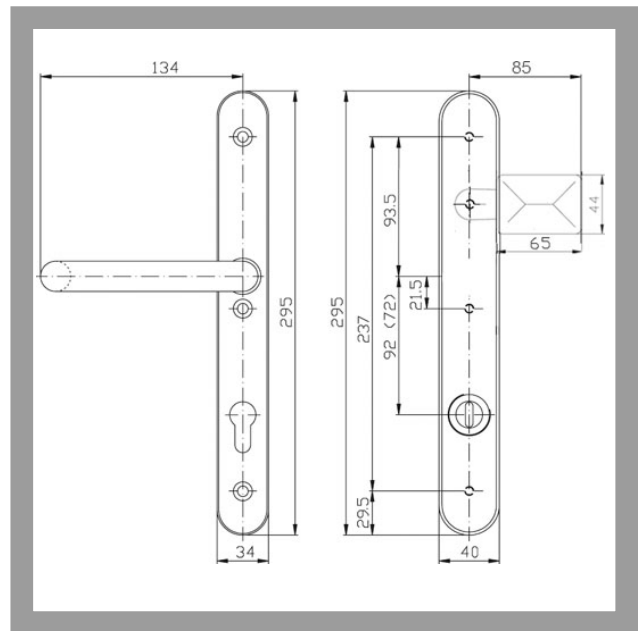
Security fittings provide secure mounting for mortise locks and locking cylinders in house and apartment doors and offer effective resistance against intrusion attempts, such as break-ins, levering open or drilling, while the cylinder cover effectively prevents cylinders extraction.

**IKON**  
ASSA ABLOY

ASSA ABLOY, the global leader  
in door opening solutions

# SM12,AUS=W/273 Security fitting 691 with cylinder cover - offset square knob/U-shaped handle

Long backplate for metal frame doors



## Product description

- With drilling protection plate effective protection against drilling of mortise lock
- Cylinder cover can be adjusted with thread for cylinder projection of 5 -10mm and 11-16mm
- External backplate thickness 12mm for cylinder projection 5-10mm, External backplate thickness 18mm for cylinder projection 11-16mm
- Internal backplate thickness 7mm
- Screw with drilling protection provided by hardened steel balls
- Distance 72mm with 8mm spindle for apartment entrance doors (ABM=72/8)
- Distance 92mm with 8mm spindle for main entrance doors (ABM=92/8)
- Triple screwed joint
- Standard finish anodised silver (FB=F1)
- Other finishes anodised nickel silver (FB=F2), powder coated Meta Color 1003 (FB=MC), powder coated white RAL 9016 (FB=WS)
- Available for standard metal frame door thicknesses 38-45mm (TS=38-45), prepared for profile cylinder
- Material: aluminium

## Accessories/Individual parts

- Standard spindle ZH 14 1M59
- Socket screw ZH 50 1M67

## Compatible ASSA ABLOY products

- Double cylinder .551
- Double cylinder .531

## Scope of delivery

- 1 Set with fixing material



# SM12,AUS=W/273 Security fitting 691 with cylinder cover - offset square knob/U- shaped handle

Long backplate for metal frame doors

Article-No.	FB=	TS=	ABM=	ZUE=
SM12 45972	F2	38-45	72/8	5-10
SM12 45977	F2	38-45	92/8	5-10
SM12 46002	F2	38-45	72/8	11-16
SM12 46007	F2	38-45	92/8	11-16
SM12 45971	F1	38-45	72/8	5-10
SM12 45976	F1	38-45	92/8	5-10
SM12 46001	F1	38-45	72/8	11-16
SM12 46006	F1	38-45	92/8	11-16
SM12 45973	F3	38-45	72/8	5-10
SM12 45978	F3	38-45	92/8	5-10
SM12 46003	F3	38-45	72/8	11-16
SM12 46008	F3	38-45	92/8	11-16
SM12 45974	MC	38-45	72/8	5-10
SM12 45979	MC	38-45	92/8	5-10
SM12 46004	MC	38-45	72/8	11-16
SM12 46009	MC	38-45	92/8	11-16
SM12 45975	WS	38-45	72/8	5-10
SM12 45980	WS	38-45	92/8	5-10
SM12 46005	WS	38-45	72/8	11-16
SM12 46010	WS	38-45	92/8	11-16



ASSA ABLOY  
Sicherheitstechnik GmbH  
Goerzallee 299  
14167 Berlin  
berlin@assaabloy.de  
Tel. +4930 8106-0  
Fax +4930 8106-26 00  
www.assaabloy.de

ASSA ABLOY, the global leader  
in door opening solutions