

Gâches électriques

A p r i o r t a e l e t t r i c i

Elektro-Türöffner

Electric strikes

Cerraderos eléctricos

PROFIX RADIUS STRIKES

The advantages:

FaFix function for radius

Up to now, only strikes without FaFix function could be used for flush-fitting doors.

The keep adjustment of the radius strike now enables **ProFix** to offer optimum adjustment facility.



Visually appealing:

The new angled striking plate

With the new angled striking plate, the shank dimension on the mirror side has been shortened so that the door overlap covers the striking plate when the door is closed.

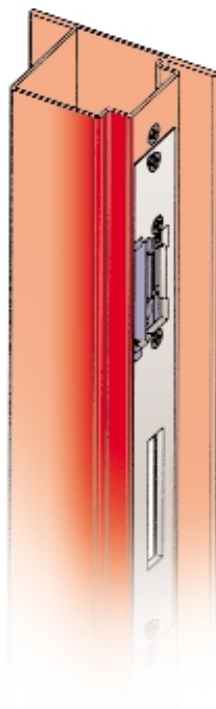
The advantage is:

the striking plate cannot be seen when the door is closed.



No detriment to the door seal

Apart from the visual advantage, the frame is no longer interrupted in the area of the seal. The door sealing face is now continuous.



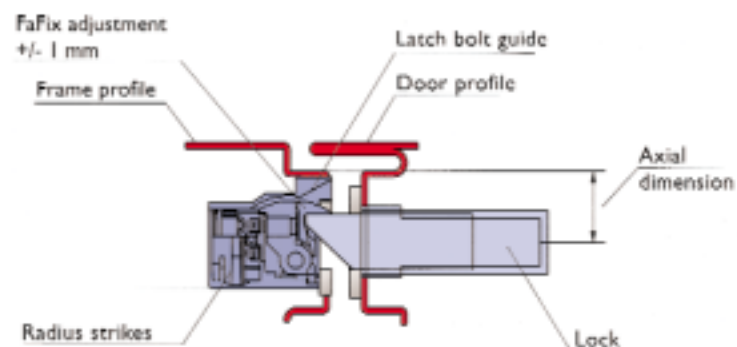
Storage advantage:

fewer different types of striking plates

The striking plates can now be used universally and it is no longer necessary to make a distinction between left and right when ordering – advantages for storage.

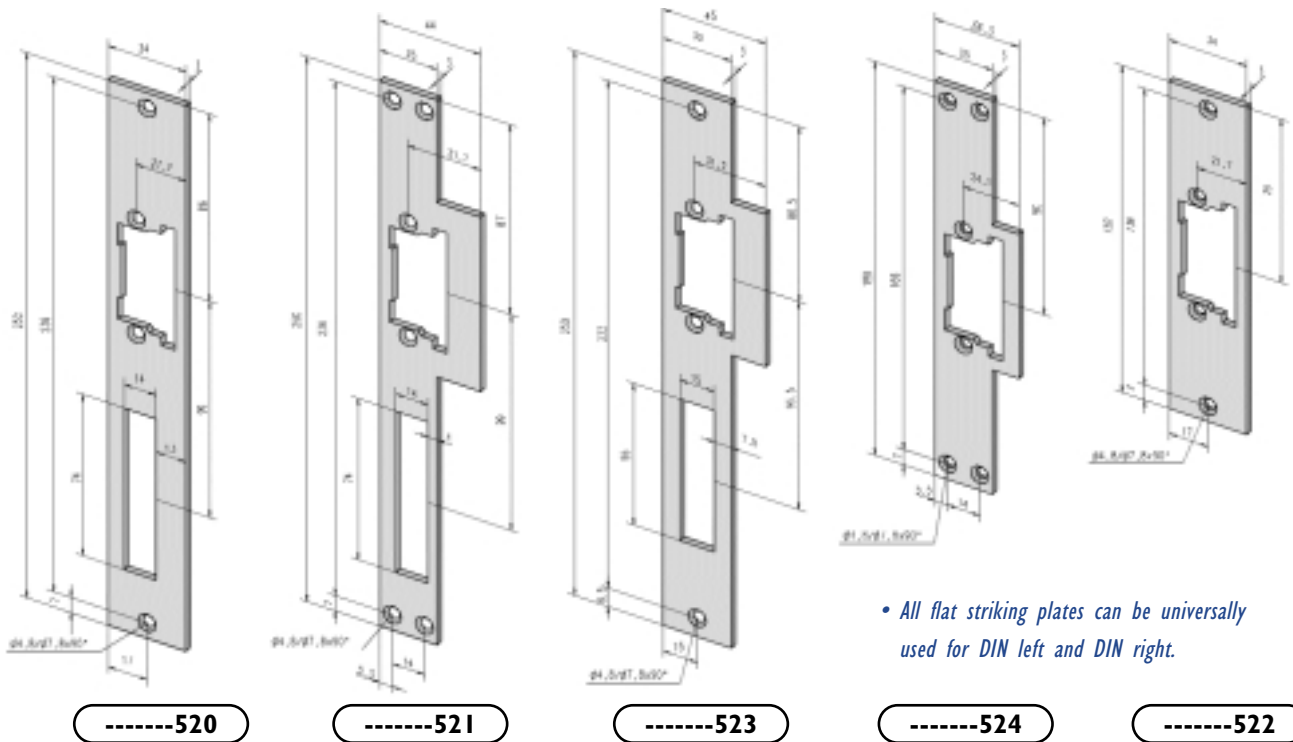
Exception: Angled striking plates (only used for folding doors)

With six standard striking plates, effeff fully covers the model series 111 and 116 for the ProFix-version. Series 119 is available on request. The current striking plates with latch bolt guide are totally replaced.



Flat striking plates

Compatible with the current striking plate range.



• All flat striking plates can be universally used for DIN left and DIN right.

-----520

-----521

-----523

-----524

-----522

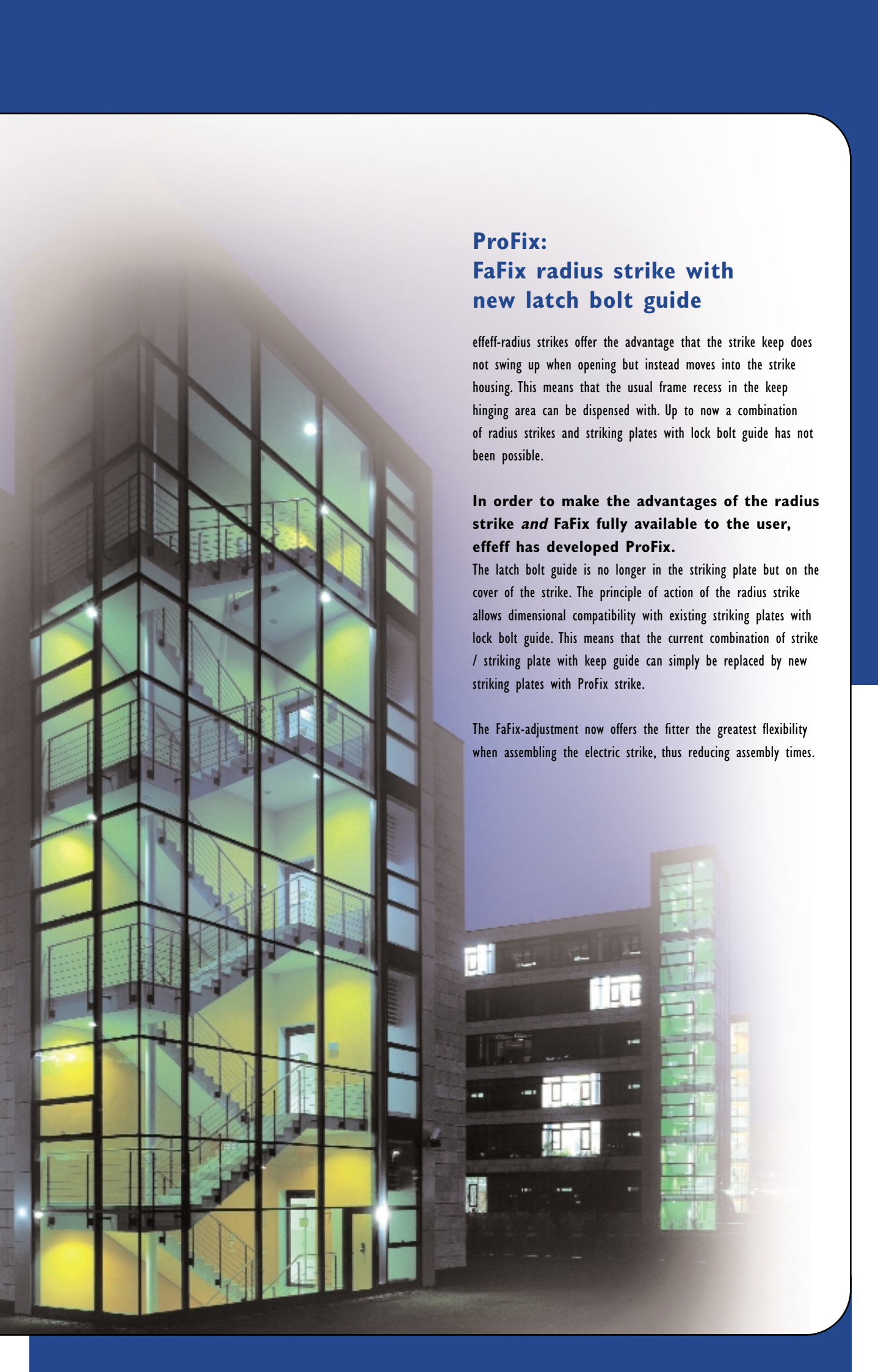
Ordering details for ProFix radius strikes

FOR FLAT STRIKING PLATES

Model	Mechanical unlocking	Design	Striking plate	Colour	Voltage (for Model 111 see box)*	DIN-direction
111	E	.10 Standard	520 HZF	35 stainless steel	D1 6-12 V	I UNI
116		.20 RR	521 Lap		R1 8-16 V	
126		.50 Diode 05	522 kF		E4 12 V 100% ED	
136		.60 RR + Diode	523 Lap		F1 24 V	
Model 119 on request			524 Lap		F4 24 V 100% ED	
					E9 closed circuit current 12 V (136)	
					F9 closed circuit current 24 V (136)	

Voltages for
Model 111 *

Y1	10-16 V
E4	12 V 100% ED
F1	24 V
F4	24 V 100% ED



ProFix: FaFix radius strike with new latch bolt guide

effeff-radius strikes offer the advantage that the strike keep does not swing up when opening but instead moves into the strike housing. This means that the usual frame recess in the keep hinging area can be dispensed with. Up to now a combination of radius strikes and striking plates with lock bolt guide has not been possible.

In order to make the advantages of the radius strike and FaFix fully available to the user, effeff has developed ProFix.

The latch bolt guide is no longer in the striking plate but on the cover of the strike. The principle of action of the radius strike allows dimensional compatibility with existing striking plates with lock bolt guide. This means that the current combination of strike / striking plate with keep guide can simply be replaced by new striking plates with ProFix strike.

The FaFix-adjustment now offers the fitter the greatest flexibility when assembling the electric strike, thus reducing assembly times.

Gâches électriques

A p r i o r t a e l e t t r i c i

Elektro-Türöffner

E l e c t r i c s t r i k e s

Cerraderos eléctricos

effeff Fritz Fuss GmbH & Co.
Kommanditgesellschaft auf Aktien
Bildstockstraße 20
72458 Albstadt
GERMANY
Tel. +49 7431 123-0
Fax +49 7431 123-240
info@effeff.com
www.effeff.com

2.1901-068 0G000