

Gâches électriques

A p r i o r t a e l e t t r i c i

# Elektro-Türöffner

Electric strikes

Cerraderos eléctricos

ATP RIM-TYPE STRIKE **MULTIFIX A06**



**MultiFix model range**

**14A06, 14UA06, 24A06, 34UA06, 142UA06**

**Strike for special applications**

**Panic door lock with horizontal push bar**

- ▶ Vertical and horizontal mounting possible
- ▶ For universal use – not handed
- ▶ Load and no-load version available
- ▶ Available with monitoring contact
- ▶ Available with locking function
- ▶ Three-dimensional adjustment (X:  $\pm 3$  mm / Y: 0-16 mm / Z:  $\pm 3$  mm)  
(see photo on right)
- ▶ Available with 12/24 V changeover switch and suppressor diode  
(e.g. for combination with access control system supplied by effeff)
- ▶ Housing colours: black, silver, white



Mounting example

## Composition

The new Multifix rim-type strike combines design and functionality in one unique, patented unit. The surface-mounted housing can be combined with existing effeff ATP door strikes renowned for their reliability. The ATP door strike series has been expanded by the addition of a multi-functional strike (14 Uxx), reducing the number of variants considerably.

## Accessories

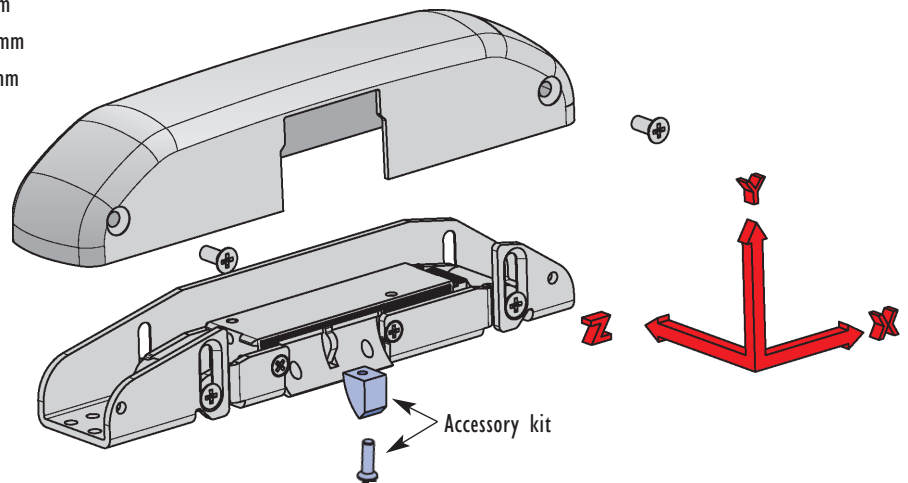
By using the accessory kit the latch bolt function can be added. A snib prevents the latch from being retracted when the door is closed. The accessory kit is required for the installation of suitable push bars.

Adjustment options:

X:  $\pm 3$  mm

Y: 0 - 16 mm

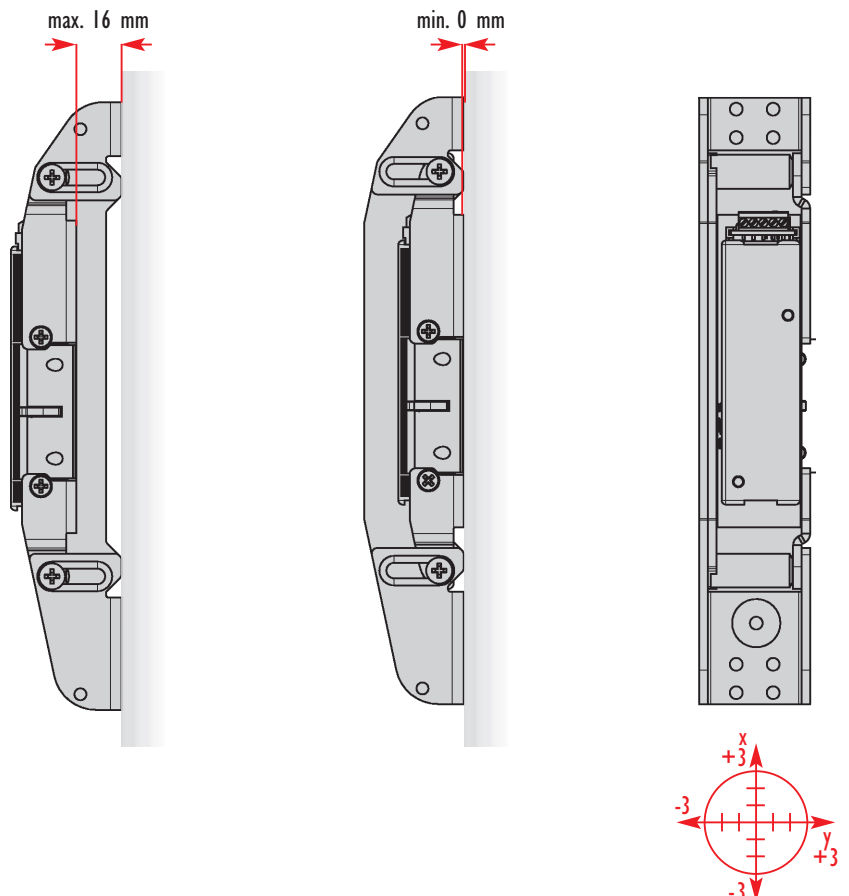
Z:  $\pm 3$  mm



## SET-14U400080

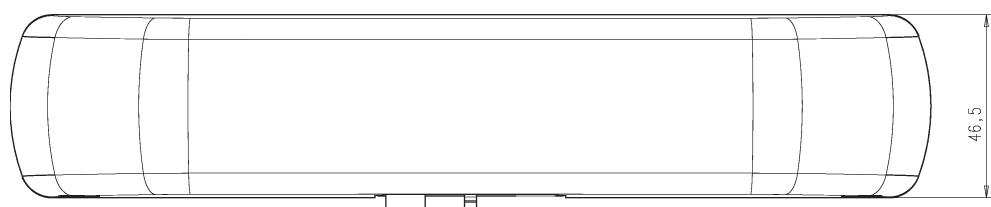
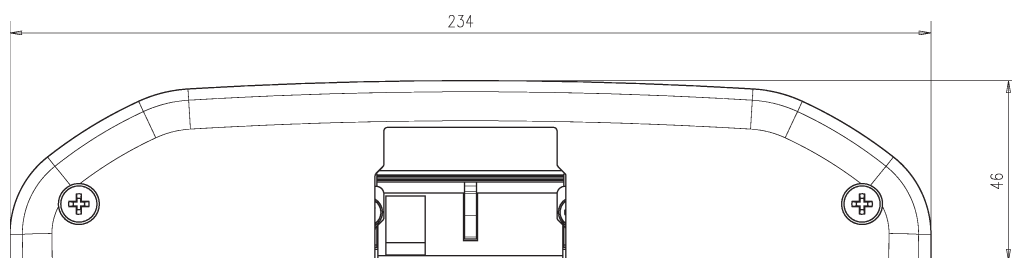
## Dimensions

The three-dimensional adjustability simplifies installation considerably and offers the option of subsequent adjustments thus covering all popular applications with minimal effort and without the necessity for alternative cover versions or spacers.



Technical data	
Intrusion resistance (standard)	5000 N
Rim housing material: housing/lock Material 142U: housing/lock	Die-cast zinc/Brass High-grade cast steel/Steel
Operating temperature range	-15 °C to +40 °C
Mounting unrestricted by location	Yes

Electrical data		Rated operating voltage Tolerance range	Nominal resistance in Ohm	AC consumption in mA	DC consumption in mA (50% residual ripple)	DC consumption in mA (stabilised)	Operating noise in AC mode*	Operating noise in DC mode* (50% residual ripple)	Max. lock preload in N for AC	Max. lock preload in N for DC (50% residual ripple)	Max. lock preload in N for DC (stabilised)
At 20 °C											
8-16 V (8 V mode)	RI	as specified	16,5	350	470	485	4	1	110	10	10
8-16 V (12 V mode)	RI	as specified	16,5	500	710	725	4	1	80	20	10
8-16 V (16 V mode)	RI	as specified	16,5	700	940	970	4	1	100	40	20
12 V eE		±1 V	57,5	130	190	210	3	0	50	20	10
24 V eE		±2 V	230,0	70	100	105	3	0	50	20	10



**Model overview**

Order numbers	8-16V AC/DC	12/24 V changeover switch	Suppressor diode	Monitoring contact	Locking function*	Load current	No-load current	Black RAL 9011	Silver RAL9006	White RAL 9016
<b>I4.400-A0605R1 I</b>	•					•		•		
<b>I4.400-A0691R1 I</b>	•					•			•	
<b>I4.400-A0604R1 I</b>	•					•				•
<b>I4.460-A0605R1 I</b>	•			•		•		•		
<b>I4.460-A0691R1 I</b>	•			•		•			•	
<b>I4.460-A0604R1 I</b>	•			•		•				•
<b>I4U400-A0605Q3 I</b>		•	•			•		•		
<b>I4U400-A0691Q3 I</b>		•	•			•			•	
<b>I4U400-A0604Q3 I</b>		•	•			•				•
<b>I4U460-A0605Q3 I</b>		•	•	•		•		•		
<b>I4U460-A0691Q3 I</b>		•	•	•		•			•	
<b>I4U460-A0604Q3 I</b>		•	•	•		•				•
<b>24U400-A0605Q3 I</b>		•	•		•	•		•		
<b>24U400-A0691Q3 I</b>		•	•		•	•			•	
<b>24U400-A0604Q3 I</b>		•	•		•	•				•
<b>34U400-A0605Q3 I</b>		•	•				•	•		
<b>34U400-A0691Q3 I</b>		•	•				•		•	
<b>34U400-A0604Q3 I</b>		•	•				•			•
<b>34U460-A0605Q3 I</b>		•	•	•			•	•		
<b>34U460-A0691Q3 I</b>		•	•	•			•		•	
<b>34U460-A0604Q3 I</b>		•	•	•			•			•
<b>I42U400A0605Q3 I</b>		•	•			•		•		
<b>I42U400A0691Q3 I</b>		•	•			•			•	
<b>I42U400A0604Q3 I</b>		•	•			•				•
<b>I42U460A0605Q3 I</b>		•	•	•		•		•		
<b>I42U460A0691Q3 I</b>		•	•	•		•			•	
<b>I42U460A0604Q3 I</b>		•	•	•		•				•
Accessory kit <b>SET-I4U400080</b>										
Surface-mounted housing (complete), loose ----- <b>A0605-01</b>								•		
----- <b>A0691-01</b>									•	
----- <b>A0604-01</b>										•

■ = Fire protection approval for ATP Model series I42Uxxx is pending

\* = Exchange controlled

Gâches électriques

A p r i o r t a e l e t t r i c i

# Elektro-Türöffner

Electric strikes

Cerraderos eléctricos

ASSA ABLOY  
Sicherheitstechnik GmbH  
Bildstockstraße 20  
72458 Albstadt  
GERMANY  
Tel. +49 7431 123-0  
Fax +49 7431 123-240  
albstadt@assaabloy.de  
www.assaabloy.de



**effeff**, established in 1936 as a precision engineering and electrical engineering workshop, has developed into the global market leader in the field of electromechanical locking device technology through the implementation of a consistent product policy. Electric strikes, electric bolts, safety locks, access control systems, electric sheer magnets, rescue route technology, revolving door drives, arrester systems for fire barriers and control elements are among the products that effeff, based in Albstadt in southern Germany, currently exports to 75 countries around the globe.

**IKON**, established in 1926 as ZEISS IKON AG, is one of the leading manufacturers of locking cylinders, locks and locking systems in Germany. Our products and solutions are manufactured to state-of-the-art technological standards and have included 'mechatronic' locking cylinders, escape door technology, door fittings and closers, as well as numerous auxiliary locks and securing devices for some time now. They protect both people and valuables.

**ASSA ABLOY Sicherheitstechnik GmbH**. The IKON and effeff brands have been developed, produced and marketed in one merged company since 2005, with both product ranges complementing each other perfectly. This enables us to offer our customers comprehensive and complex system solutions for private, commercial and public service applications.

**ASSA ABLOY** is the world's leading manufacturer and supplier of locking system solutions and security systems, meeting and exceeding the highest customer expectations in terms of security, protection and user friendliness. With around 30,000 employees, the group generates an annual turnover of approximately 3 thousand million Euros.