

SM10,AUS=B/410 Security fitting 351 - handle/handle

Door fittings

Security fittings without cylinder cover



IKON provides a broad selection of security fittings and escutcheons, with or without cylinder covers. The wide range of IKON fittings is suitable for house and apartment doors, interior and exterior doors and doors made of all conventional materials. It encompasses a variety of handle fittings, a broad range of anodised finishes and colours and a quality spectrum ranging from solid aluminium fittings to premium security steel fittings. Solid steel with drilling protection and internal screw fittings with high tensile resistance form a practically impervious shield for locking cylinders.

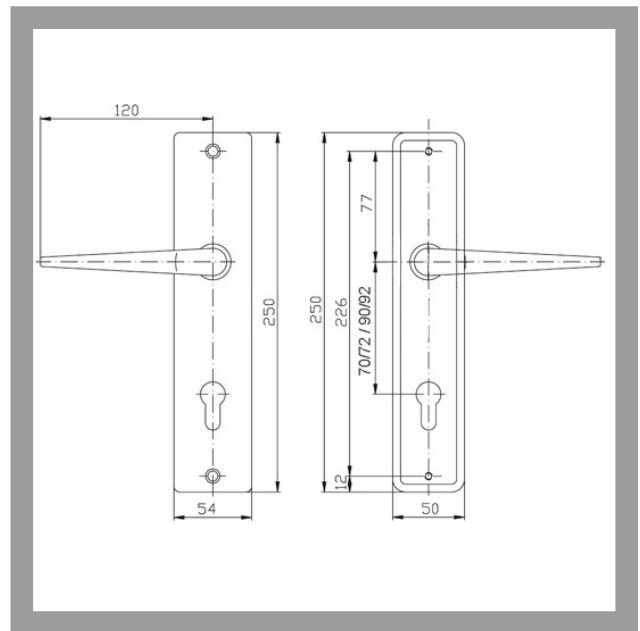
Area of Application

IKON security fittings with profile locking cylinder cut-out and without a cylinder cover ensure that mortise locks and locking cylinders are securely mounted on house and apartment entrance doors. They effectively resist intrusion attempts involving break-in or extraction of the cylinder. A locking cylinder with drilling protection should be utilised when employing security fittings without a cylinder cover.

IKON
ASSA ABLOY

ASSA ABLOY, the global leader
in door opening solutions

SM10,AUS=B/410 Security fitting 351 - handle/handle



Product description

- With drilling protection plate effective protection against drilling of mortise lock
- Standard external backplate thickness 10mm (ZUE=10)
- Other external backplate thicknesses 12mm (ZUE=12), 15mm (ZUE=15), 20mm (ZUE=20)
- Execution prepared for round cylinder (VAR=RZ) is not available for external backplate thickness 12mm (ZUE=12)
- Internal backplate thickness 7mm
- Standard finish nickel silver (FB=F2)
- Alternative colours: silver (FB=F1) gold (FB=F3), Meta colour 1003 coated (FB=MC)
- Standard version prepared for profile cylinder (VAR=PZ)
- Other executions prepared for round cylinder (VAR=RZ)
- Distance 72/74mm with 8mm square for apartment entrance doors (ABM=72/8) or (ABM=74/8)
- Distance 90/92mm with 10mm spindle for main entrance doors (ABM=90/10) or (ABM=92/10)
- Double screwed joint
- Available for standard room door thicknesses 38-42mm (TS=38-42) and standard house door thicknesses 48-52mm (TS=48-52), prepared for profile cylinder
- Material: aluminium

Accessories/Individual parts

- A-half spindle with M6-thread ZH 8 A 1M54
- Grub screw with hardened cone point ZH51 1M93

Compatible ASSA ABLOY products

- Double cylinder .551
- Double cylinder .531

Scope of delivery

- 1 Set with fixing material



SM10,AUS=B/410 Security fitting 351 - handle/handle

Article-No.	FB=	TS=	ABM=	VAR=	ZUE=
SM10 45786	F2	38-42	72/8	PZ	10
SM10 45790	F2	38-42	72/8	PZ	12
SM10 45794	F2	38-42	72/8	PZ	15
SM10 45908	F2	38-42	72/8	PZ	20
SM10 45798	F2	38-42	74/8	RZ	10
SM10 45801	F2	38-42	74/8	RZ	15
SM10 45911	F2	38-42	74/8	RZ	20
SM10 45862	F2	48-52	90/10	RZ	10
SM10 45865	F2	48-52	90/10	RZ	15
SM10 45927	F2	48-52	90/10	RZ	20
SM10 45850	F2	48-52	92/10	PZ	10
SM10 45854	F2	48-52	92/10	PZ	12
SM10 45858	F2	48-52	92/10	PZ	15
SM10 45924	F2	48-52	92/10	PZ	20
SM10 45785	F1	38-42	72/8	PZ	10
SM10 45789	F1	38-42	72/8	PZ	12
SM10 45793	F1	38-42	72/8	PZ	15
SM10 45907	F1	38-42	72/8	PZ	20
SM10 45797	F1	38-42	74/8	RZ	10
SM10 45800	F1	38-42	74/8	RZ	15
SM10 45910	F1	38-42	74/8	RZ	20
SM10 45861	F1	48-52	90/10	RZ	10
SM10 45864	F1	48-52	90/10	RZ	15
SM10 45926	F1	48-52	90/10	RZ	20
SM10 45849	F1	48-52	92/10	PZ	10
SM10 45853	F1	48-52	92/10	PZ	12
SM10 45857	F1	48-52	92/10	PZ	15
SM10 45923	F1	48-52	92/10	PZ	20
SM10 45787	F3	38-42	72/8	PZ	10
SM10 45791	F3	38-42	72/8	PZ	12
SM10 45795	F3	38-42	72/8	PZ	15
SM10 45909	F3	38-42	72/8	PZ	20



ASSA ABLOY
Sicherheitstechnik GmbH
Goerzallee 299
14167 Berlin
berlin@assaabloy.de
Tel. +4930 8106-0
Fax +4930 8106-26 00
www.assaabloy.de

ASSA ABLOY, the global leader
in door opening solutions

SM10,AUS=B/410 Security fitting 351 - handle/handle

Article-No.	FB=	TS=	ABM=	VAR=	ZUE=
SM10 45799	F3	38-42	74/8	RZ	10
SM10 45802	F3	38-42	74/8	RZ	15
SM10 45912	F3	38-42	74/8	RZ	20
SM10 45863	F3	48-52	90/10	RZ	10
SM10 45866	F3	48-52	90/10	RZ	15
SM10 45928	F3	48-52	90/10	RZ	20
SM10 45851	F3	48-52	92/10	PZ	10
SM10 45855	F3	48-52	92/10	PZ	12
SM10 45859	F3	48-52	92/10	PZ	15
SM10 45925	F3	48-52	92/10	PZ	20
SM10 45788	MC	38-42	72/8	PZ	10
SM10 45792	MC	38-42	72/8	PZ	12
SM10 45796	MC	38-42	72/8	PZ	15
SM10 45852	MC	48-52	92/10	PZ	10
SM10 45856	MC	48-52	92/10	PZ	12
SM10 45860	MC	48-52	92/10	PZ	15



ASSA ABLOY
Sicherheitstechnik GmbH
Goerzallee 299
14167 Berlin
berlin@assaabloy.de
Tel. +4930 8106-0
Fax +4930 8106-26 00
www.assaabloy.de

ASSA ABLOY, the global leader
in door opening solutions