

SM09,AUS=B/410 Security fitting 350 - handle/handle

Door fittings

Security fittings without cylinder cover



IKON provides a broad selection of security fittings and escutcheons, with or without cylinder covers. The wide range of IKON fittings is suitable for house and apartment doors, interior and exterior doors and doors made of all conventional materials. It encompasses a variety of handle fittings, a broad range of anodised finishes and colours and a quality spectrum ranging from solid aluminium fittings to premium security steel fittings. Solid steel with drilling protection and internal screw fittings with high tensile resistance form a practically impervious shield for locking cylinders.

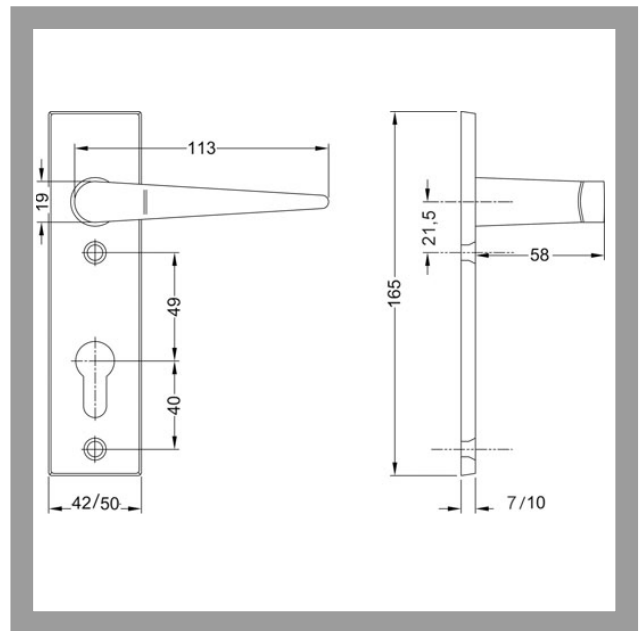
Area of Application

Security fittings provide secure mounting for mortise locks and locking cylinders in house and apartment doors and offer effective resistance against intrusion attempts, such as break-ins, levering open or drilling, while the cylinder cover effectively prevents cylinders extraction.

IKON
ASSA ABLOY

ASSA ABLOY, the global leader
in door opening solutions

SM09,AUS=B/410 Security fitting 350 - handle/handle



Product description

- With drilling protection plate effective protection against drilling of mortise lock
- Standard external backplate thickness 10mm (ZUE=10)
- Other external backplate thicknesses 12mm (ZUE=12), 15mm (ZUE=15), 20mm (ZUE=20)
- Execution prepared for round cylinder (VAR=RZ) is not available for external backplate thickness 12mm (ZUE=12)
- Internal backplate thickness 7mm
- Standard finish nickel silver (FB=F2)
- Alternative colours: silver (FB=F1) gold (FB=F3), Meta colour 1003 coated (FB=MC)
- Standard version prepared for profile cylinder (VAR=PZ)
- Other executions prepared for round cylinder (VAR=RZ)
- Distance 72/74mm with 8mm square for apartment entrance doors (ABM=72/8) or (ABM=74/8)
- Double screwed joint
- Available for standard room door thicknesses 38-42mm (TS=38-42), prepared for profile cylinder

Accessories/Individual parts

- A-half spindle with M6-thread ZH 8 A 1M54
- Grub screw with hardened cone point ZH51 1M93

Compatible ASSA ABLOY products

- Double cylinder .551
- Double cylinder .531

Scope of delivery

- 1 Set with fixing material



SM09,AUS=B/410 Security fitting 350 - handle/handle

Article-No.	FB=	TS=	ABM=	VAR=	ZUE=
SM09 45667	F2	38-42	72/8	PZ	10
SM09 45671	F2	38-42	72/8	PZ	12
SM09 45675	F2	38-42	72/8	PZ	15
SM09 45719	F2	38-42	72/8	PZ	20
SM09 45679	F2	38-42	74/8	RZ	10
SM09 45682	F2	38-42	74/8	RZ	15
SM09 45722	F2	38-42	74/8	RZ	20
SM09 45666	F1	38-42	72/8	PZ	10
SM09 45670	F1	38-42	72/8	PZ	12
SM09 45674	F1	38-42	72/8	PZ	15
SM09 45718	F1	38-42	72/8	PZ	20
SM09 45678	F1	38-42	74/8	RZ	10
SM09 45681	F1	38-42	74/8	RZ	15
SM09 45721	F1	38-42	74/8	RZ	20
SM09 45668	F3	38-42	72/8	PZ	10
SM09 45672	F3	38-42	72/8	PZ	12
SM09 45676	F3	38-42	72/8	PZ	15
SM09 45720	F3	38-42	72/8	PZ	20
SM09 45680	F3	38-42	74/8	RZ	10
SM09 45683	F3	38-42	74/8	RZ	15
SM09 45723	F3	38-42	74/8	RZ	20
SM09 45669	MC	38-42	72/8	PZ	10
SM09 45673	MC	38-42	72/8	PZ	12
SM09 45677	MC	38-42	72/8	PZ	15



ASSA ABLOY
Sicherheitstechnik GmbH
Goerzallee 299
14167 Berlin
berlin@assaabloy.de
Tel. +4930 8106-0
Fax +4930 8106-26 00
www.assaabloy.de

ASSA ABLOY, the global leader
in door opening solutions