

SM09,AUS=W/410 Security fitting 350 - mushroom knob/handle

Door fittings

Security fittings without cylinder cover



IKON provides a broad selection of security fittings and escutcheons, with or without cylinder covers. The wide range of IKON fittings is suitable for house and apartment doors, interior and exterior doors and doors made of all conventional materials. It encompasses a variety of handle fittings, a broad range of anodised finishes and colours and a quality spectrum ranging from solid aluminium fittings to premium security steel fittings. Solid steel with drilling protection and internal screw fittings with high tensile resistance form a practically impervious shield for locking cylinders.

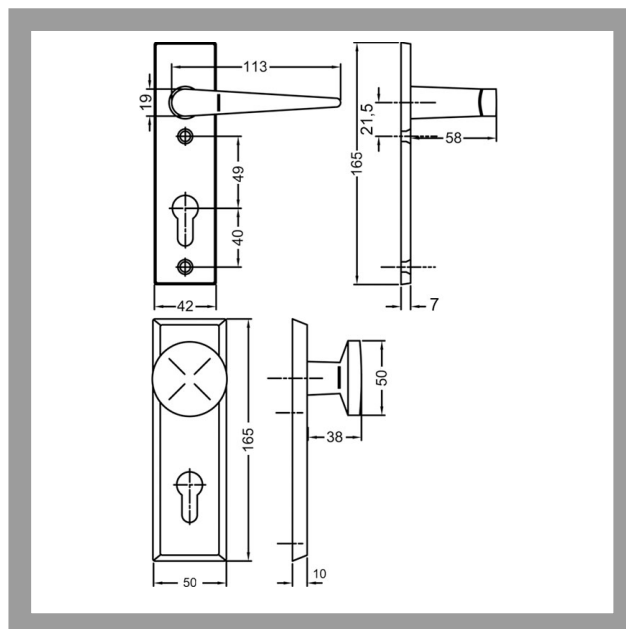
Area of Application

IKON security fittings with profile locking cylinder cut-out and without a cylinder cover ensure that mortise locks and locking cylinders are securely mounted on house and apartment entrance doors. They effectively resist intrusion attempts involving break-in or extraction of the cylinder. A locking cylinder with drilling protection should be utilised when employing security fittings without a cylinder cover.

IKON
ASSA ABLOY

ASSA ABLOY, the global leader
in door opening solutions

SM09,AUS=W/410 Security fitting 350 - mushroom knob/handle



Product description

- With drilling protection plate effective protection against drilling of mortise lock
- Standard external backplate thickness 10mm (ZUE=10)
- Other external backplate thicknesses 12mm (ZUE=12), 15mm (ZUE=15), 20mm (ZUE=20)
- Execution prepared for round cylinder (VAR=RZ) is not available for external backplate thickness 12mm (ZUE=12)
- Internal backplate thickness 7mm
- Standard version prepared for profile cylinder (VAR=PZ)
- Other executions prepared for round cylinder (VAR=RZ)
- Distance 72/74mm with 8mm square for apartment entrance doors (ABM=72/8) or (ABM=74/8)
- Double screwed joint
- Standard finish nickel silver (FB=F2)
- Alternative colours: silver (FB=F1) gold (FB=F3), Meta colour 1003 coated (FB=MC)
- Available for standard room door thicknesses 38-42mm (TS=38-42), prepared for profile cylinder
- Material: aluminium

Accessories/Individual parts

- A-half spindle with M6-thread ZH 8 A 1M54
- Grub screw with hardened cone point ZH51 1M93

Compatible ASSA ABLOY products

- Double cylinder .551
- Double cylinder .531

Scope of delivery

- 1 Set with fixing material



SM09,AUS=W/410 Security fitting 350 - mushroom knob/handle

Article-No.	FB=	TS=	ABM=	VAR=	ZUE=
SM09 45643	F2	38-42	72/8	PZ	10
SM09 45647	F2	38-42	72/8	PZ	12
SM09 45651	F2	38-42	72/8	PZ	15
SM09 45711	F2	38-42	72/8	PZ	20
SM09 45655	F2	38-42	74/8	RZ	10
SM09 45658	F2	38-42	74/8	RZ	15
SM09 45714	F2	38-42	74/8	RZ	20
SM09 45642	F1	38-42	72/8	PZ	10
SM09 45646	F1	38-42	72/8	PZ	12
SM09 45650	F1	38-42	72/8	PZ	15
SM09 45710	F1	38-42	72/8	PZ	20
SM09 45654	F1	38-42	74/8	RZ	10
SM09 45657	F1	38-42	74/8	RZ	15
SM09 45713	F1	38-42	74/8	RZ	20
SM09 45644	F3	38-42	72/8	PZ	10
SM09 45648	F3	38-42	72/8	PZ	12
SM09 45652	F3	38-42	72/8	PZ	15
SM09 45712	F3	38-42	72/8	PZ	20
SM09 45656	F3	38-42	74/8	RZ	10
SM09 45659	F3	38-42	74/8	RZ	15
SM09 45715	F3	38-42	74/8	RZ	20
SM09 45645	MC	38-42	72/8	PZ	10
SM09 45649	MC	38-42	72/8	PZ	12
SM09 45653	MC	38-42	72/8	PZ	15



ASSA ABLOY
Sicherheitstechnik GmbH
Goerzallee 299
14167 Berlin
berlin@assaabloy.de
Tel. +4930 8106-0
Fax +4930 8106-26 00
www.assaabloy.de

ASSA ABLOY, the global leader
in door opening solutions