

5063 External cylinder - system TK5

Mechanical locking cylinders

External cylinder



Locking cylinders form the core element of secure locking systems and represent IKON's core competency. The product range meets challenging security requirements with sophisticated solutions. High-quality IKON locking cylinders provide high protection against intruders. Standard equipment in this respect includes anti-drilling devices, security cards and panic functions. Patented profiles are a direct result of decades of experience gained in precision engineering and are effectively equipped against even the latest intrusion or burglary techniques. These features include innovative VECTOR profiles and the IKON reversible key profile WSW-W10.

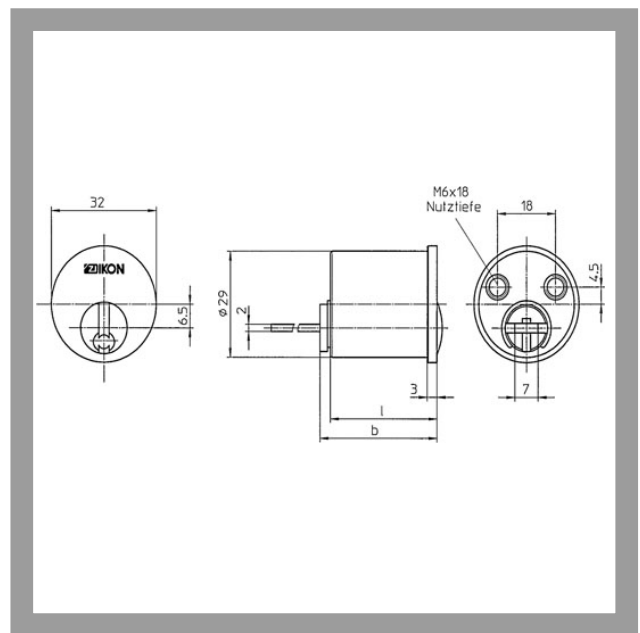
Area of Application

External cylinders are used together with auxiliary locks (e.g. rim locks and multiple locking systems). This enables actuation of auxiliary locks from outside.


ASSA ABLOY

ASSA ABLOY, the global leader
in door opening solutions

5063 External cylinder - system TK5



Product description

- 5 pin tumblers
- Brass cylinder
- Standard finish, satin nickel-plated (OF=MV)
- Other surfaces: brass, mat brushed (OF=MG), polished brass (OF=MP)
- Drilling protection (AB=), locking wave (SW=), additional lateral scanning, security card depending on profile (PR=)
- Key with round metal head
- Spherical cylinder core head with reinforced key guide
- Core pins made of special wear-resistant bronze
- Screw fixed with the lock cover from within with two M6 screws

Accessories/Individual parts

- Fixing screw 1438
- Connection rod 1152
- Shim ring 1156

Compatible ASSA ABLOY products

- Escutcheon with rain protection cover 1254,AUS=2-7
- Rim lock without cylinder 9131
- Rim lock without cylinder with security link 9132
- Drive unit for multiple locking system without lateral bolt 9260
- Drive unit for multiple locking system with lateral bolt 9261
- Drive unit for multiple locking system with lateral bolt and security link 9262
- Maintenance spray 8511

Scope of delivery

- 1 external cylinder
- 1 shim ring
- 3 nickel silver keys
- 2 screws DIN EN ISO 7046 (former DIN standard DIN 965 M6)



5063 External cylinder - system TK5

Current profiles for individual locking

| Profile (PR=) | Standard profile N2. | Locking wave profile 2PE |
|---|-----------------------------|--------------------------|
| Profile version | 61 | 54 |
| With security card included | No | Yes |
| Drilling protection (AB=) | Stahlstifte und Stahlkugeln | 2 |
| Emergency device (GE=) | optional | BS |
| Locking wave (SW=) | - | 1 |
| VdS class | - | Class B+ |
| RAL quality symbol | - | Yes |
| DIN class | - | Class 82 |
| Modular system (GBK=) | - | - |
| Additional lateral pins | - | 4 |
| Factory-keyed profile/Client profile | Factory-keyed profile | Factory-keyed profile |
| Key head shape | Round | Round |



ASSA ABLOY
Sicherheitstechnik GmbH
Goerzallee 299
14167 Berlin
berlin@assaabloy.de
Tel. +4930 8106-0
Fax +4930 8106-26 00
www.assaabloy.de

ASSA ABLOY, the global leader
in door opening solutions