

# 5072 Flush bolt cylinder - system TK5

Mechanical locking cylinders

Flush bolt cylinder



Locking cylinders form the core element of secure locking systems and represent IKON's core competency. The product range meets challenging security requirements with sophisticated solutions. High-quality IKON locking cylinders provide high protection against intruders. Standard equipment in this respect includes anti-drilling devices, security cards and panic functions. Patented profiles are a direct result of decades of experience gained in precision engineering and are effectively equipped against even the latest intrusion or burglary techniques. These features include innovative VECTOR profiles and the IKON reversible key profile WSW-W10.

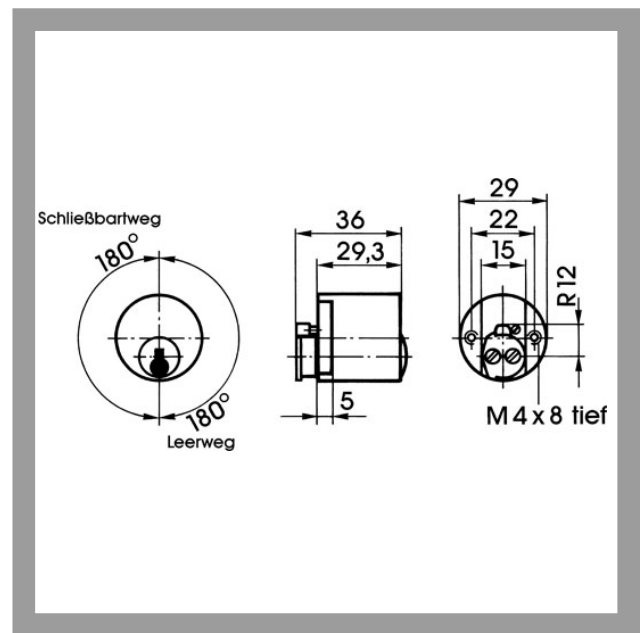
#### Area of Application

Flush bolt cylinders are used to actuate switching or control equipment. IKON supplies different flush bolt cylinder versions to suit various application areas.

  
**ASSA ABLOY**

ASSA ABLOY, the global leader  
in door opening solutions

# 5072 Flush bolt cylinder - system TK5



## Product description

- 5 pin tumblers
- Brass cylinder
- Standard finish, satin nickel-plated (OF=MV)
- Other surfaces: brass, mat brushed (OF=MG), polished brass (OF=MP)
- Fixing with 2 M4 x 10 screws
- Special cam with rake
- Cam radius 12 mm
- Locking path 360°
- cam path 180°
- Available for individual locking with standard locking (AA=NML) without security card or restricted locking (AA=SP) with security card
- Available for locking systems in different system types (AA=...)
- Locking wave (SW=), additional lateral scanning and security card depending on profile (PR=)
- Key with round metal head
- Spherical cylinder core head with reinforced key guide
- Core pins made of special wear-resistant bronze

## Compatible ASSA ABLOY products

- Maintenance spray 8511

## Scope of delivery

- 1 flush bolt cylinder
- 2 nickel silver keys



# 5072 Flush bolt cylinder - system TK5

## Current profiles for individual locking

Profile (PR=)	Standard profile N2.	Locking wave profile 2PE
<b>Profile version</b>	61	54
<b>With security card included</b>	No	Yes
<b>Drilling protection (AB=)</b>	Stahlstifte und Stahlkugeln	2
<b>Emergency device (GE=)</b>	optional	BS
<b>Locking wave (SW=)</b>	-	1
<b>VdS class</b>	-	Class B+
<b>RAL quality symbol</b>	-	Yes
<b>DIN class</b>	-	Class 82
<b>Modular system (GBK=)</b>	-	-
<b>Additional lateral pins</b>	-	4
<b>Factory-keyed profile/Client profile</b>	Factory-keyed profile	Factory-keyed profile
<b>Key head shape</b>	Round	Round



ASSA ABLOY  
Sicherheitstechnik GmbH  
Goerzallee 299  
14167 Berlin  
berlin@assaabloy.de  
Tel. +4930 8106-0  
Fax +4930 8106-26 00  
www.assaabloy.de

ASSA ABLOY, the global leader  
in door opening solutions