

# 5184 Furniture lock cylinder - system TK5

Mechanical locking cylinders

Furniture cylinders and locks



Round, 40 mm diameter



Locking cylinders form the core element of secure locking systems and represent IKON's core competency. The product range meets challenging security requirements with sophisticated solutions. High-quality IKON locking cylinders provide high protection against intruders. Standard equipment in this respect includes anti-drilling devices, security cards and panic functions. Patented profiles are a direct result of decades of experience gained in precision engineering and are effectively equipped against even the latest intrusion or burglary techniques. These features include innovative VECTOR profiles and the IKON reversible key profile WSW-W10.

#### Area of Application

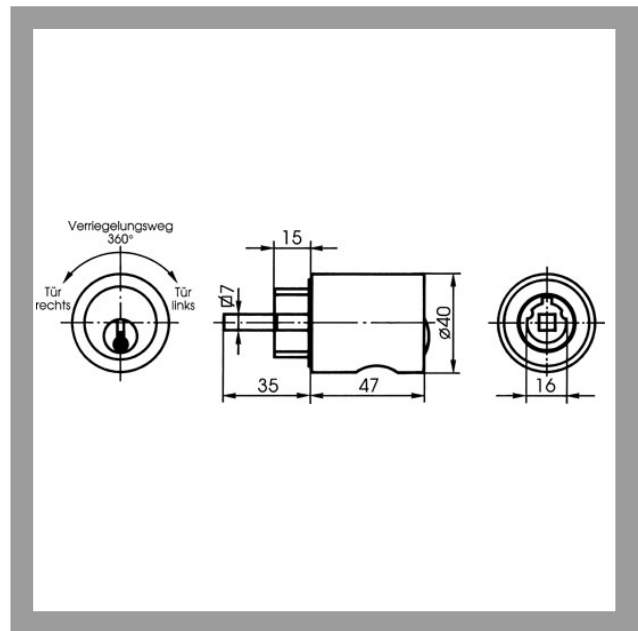
Furniture cylinders are used in conjunction with IKON furniture locks. Furniture cylinders can, depending on the version, be integrated in locking systems.

  
**ASSA ABLOY**

ASSA ABLOY, the global leader  
in door opening solutions

# 5184 Furniture lock cylinder - system TK5

Round, 40 mm diameter



## Product description

- 5 pin tumblers
- Brass cylinder
- Standard finish, satin nickel-plated (OF=MV)
- Other surfaces: brass, mat brushed (OF=MG), polished brass (OF=MP)
- Polyamide or metal housing
- Standard housing colour light grey (FB=LGR)
- Other housing colours: brown (FB=BN), dark blue (FB=DBL), dark green (FB=DGN), dark red (FB=DRT), light grey (FB=HGR), olive (FB=OL), red (FB=RT), black (FB=SW), white (FB=WS), satin nickel-plated (FB=MV)
- 7mm spindle
- Fixing with Parker screw
- With special escutcheon to facilitate fixing in connection with IKON furniture lock 8657 and sleeve 8068
- Locking wave (SW=), additional lateral scanning and security card depending on profile (PR=)
- Key with round metal head
- Spherical cylinder core head with reinforced key guide
- Core pins made of special wear-resistant bronze

## Accessories/Individual parts

- Combination sleeve 8068

## Compatible ASSA ABLOY products

- Maintenance spray 8511
- Furniture espagnolette lock 8657

## Scope of delivery

- 1 furniture lock
- 2 nickel silver keys

**IKON**  
**ASSA ABLOY**

# 5184 Furniture lock cylinder - system TK5

Round, 40 mm diameter

Current profiles for individual locking

Profile (PR=)	Standard profile N2.	Locking wave profile 2PE
Profile version	61	54
With security card	No	Yes
<b>included</b>		
Drilling protection (AB=)	Stahlstifte und Stahlkugeln	2
Emergency device (GE=)	optional	BS
Locking wave (SW=)	-	1
VdS class	-	Class B+
RAL quality symbol	-	Yes
DIN class	-	Class 82
<b>Modular system (GBK=)</b>	-	-
<b>Additional lateral pins</b>	-	4
<b>Factory-keyed profile/Client profile</b>	Factory-keyed profile	Factory-keyed profile
<b>Key head shape</b>	Round	Round



ASSA ABLOY  
Sicherheitstechnik GmbH  
Goerzallee 299  
14167 Berlin  
berlin@assaabloy.de  
Tel. +4930 8106-0  
Fax +4930 8106-26 00  
www.assaabloy.de

ASSA ABLOY, the global leader  
in door opening solutions