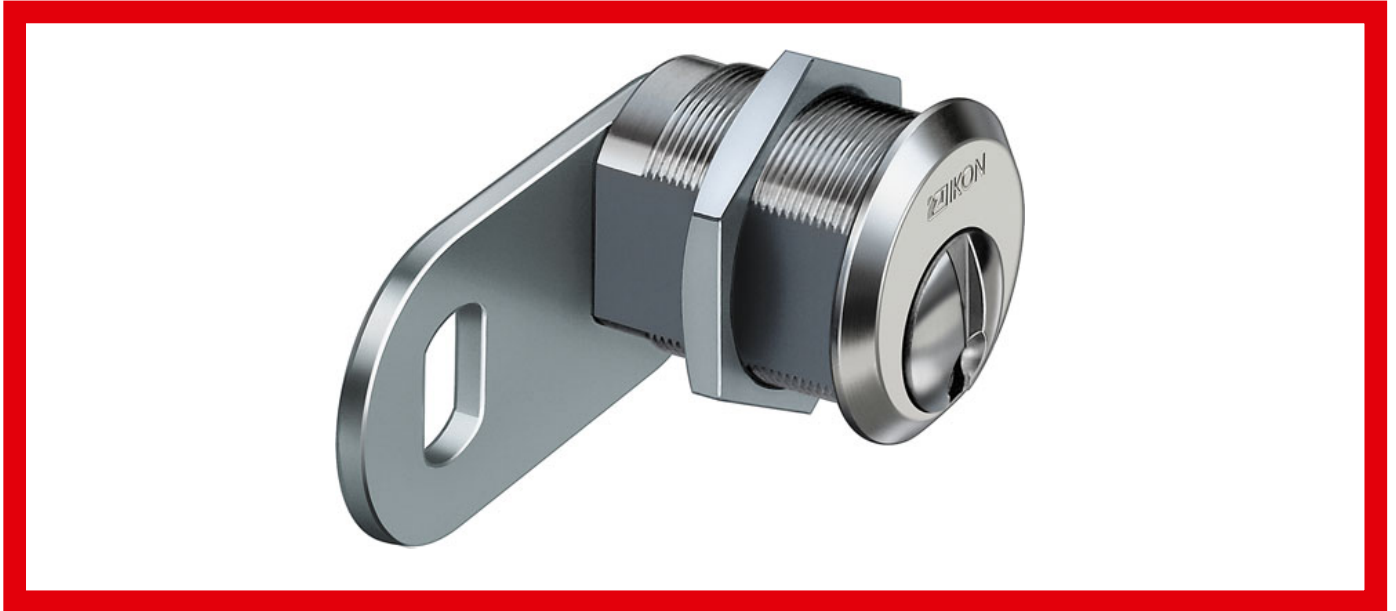


5211 Universal locking lever cylinder

Mechanical locking cylinders

Locking lever cylinder

23mm diameter, laterally flattened to 17.6 mm



Locking cylinders form the core element of secure locking systems and represent IKON's core competency. The product range meets challenging security requirements with sophisticated solutions. High-quality IKON locking cylinders provide high protection against intruders. Standard equipment in this respect includes anti-drilling devices, security cards and panic functions. Patented profiles are a direct result of decades of experience gained in precision engineering and are effectively equipped against even the latest intrusion or burglary techniques. These features include innovative VECTOR profiles and the IKON reversible key profile WSW-W10.

Area of Application

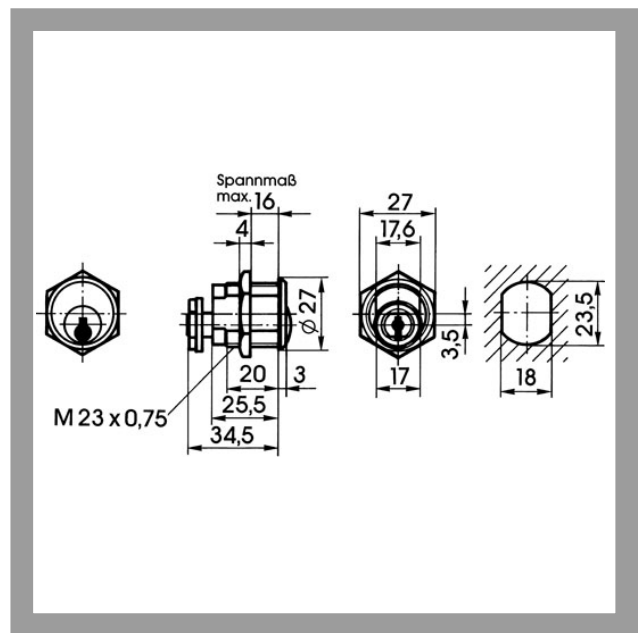
Locking lever cylinders are mainly used for letterboxes, vending machines, control cabinets, haunch flaps, wardrobe lockers or security lockers. IKON supplies locking lever variants to suit different areas of application.


ASSA ABLOY

ASSA ABLOY, the global leader
in door opening solutions

5211 Universal locking lever cylinder

23mm diameter, laterally flattened to 17.6 mm



Product description

- 5 pin tumblers
- Brass cylinder
- Standard finish, matt chrome-plated (OF=MC)
- Other surfaces: satin nickel-plated (OF=MV), brass, mat brushed (OF=MG), polished brass (OF=MP)
- Not available with drilling protection (AB=2)
- Standard locking lever (SLHB=1645009)
- Locking path and locking lever path 90° left or right
- Key withdrawal when locking lever is closed
- Locking wave (SW=), additional lateral scanning and security card depending on profile (PR=)
- Key with round metal head
- Spherical cylinder core head with reinforced key guide
- Core pins made of special wear-resistant bronze
- Fixing with housing nut M23x0.75
- Locking direction of locking lever must be specified when ordering

Compatible ASSA ABLOY products

- Maintenance spray 8511

Scope of delivery

- 1 locking lever cylinder
- 2 nickel silver keys
- 1 casing screw nut M23 x 0.75

ZIKON
ASSA ABLOY

ASSA ABLOY, the global leader
in door opening solutions

5211 Universal locking lever cylinder

23mm diameter, laterally flattened to
17.6 mm

Current profiles for individual locking

Profile (PR=)	Standard profile N2.	Locking wave profile 2PE
Profile version	61	54
With security card included	No	Yes
Drilling protection (AB=)	Stahlstifte und Stahlkugeln	2
Emergency device (GE=)	optional	BS
Locking wave (SW=)	-	1
VdS class	-	Class B+
RAL quality symbol	-	Yes
DIN class	-	Class 82
Modular system (GBK=)	-	-
Additional lateral pins	-	4
Factory-keyed profile/Client profile	Factory-keyed profile	Factory-keyed profile
Key head shape	Round	Round



ASSA ABLOY
Sicherheitstechnik GmbH
Goerzallee 299
14167 Berlin
berlin@assaabloy.de
Tel. +4930 8106-0
Fax +4930 8106-26 00
www.assaabloy.de

ASSA ABLOY, the global leader
in door opening solutions