

# 5449,AUS=E29- 34 Universal locking lever cylinder with adjustable lever distance - system TK5

30mm diameter, laterally flattened to 22mm

Mechanical locking cylinders

Locking lever cylinder



Locking cylinders form the core element of secure locking systems and represent IKON's core competency. The product range meets challenging security requirements with sophisticated solutions. High-quality IKON locking cylinders provide high protection against intruders. Standard equipment in this respect includes anti-drilling devices, security cards and panic functions. Patented profiles are a direct result of decades of experience gained in precision engineering and are effectively equipped against even the latest intrusion or burglary techniques. These features include innovative VECTOR profiles and the IKON reversible key profile WSW-W10.

## Area of Application

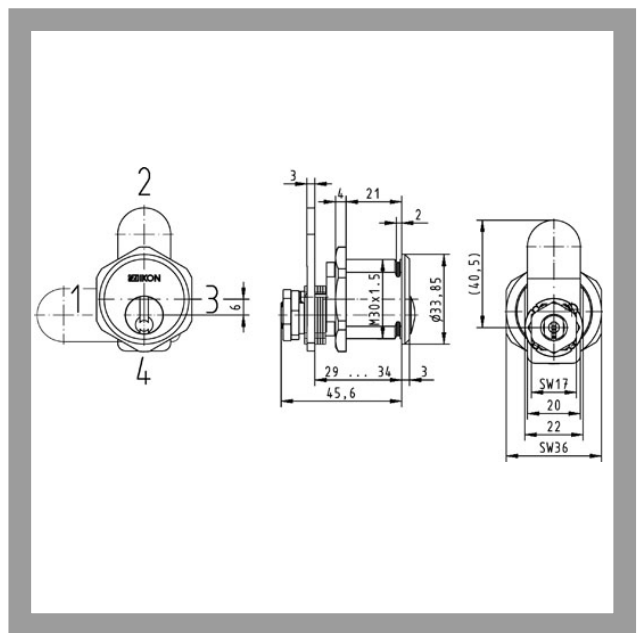
Locking lever cylinders are mainly used for letterboxes, vending machines, control cabinets, haunch flaps, wardrobe lockers or security lockers. IKON supplies locking lever variants to suit different areas of application.

**IKON**  
ASSA ABLOY

ASSA ABLOY, the global leader  
in door opening solutions

# 5449,AUS=E29- 34 Universal locking lever cylinder with adjustable lever distance - system TK5

30mm diameter, laterally flattened to 22mm



## Product description

- 5 pin tumblers
- Brass cylinder
- Standard finish, matt chrome-plated (OF=MC)
- Other surfaces: satin nickel-plated (OF=MV), brass, mat brushed (OF=MG), polished brass (OF=MP)
- Not available with drilling protection (AB=2)
- The lever distance can be variably adjusted by 1-5mm depending on the installation location. Bending the lever is no longer necessary.
- Locking lever SLHB= 1647004 (other locking levers available on request)
- Two locking lever end positions
- Locking lever path 90°
- Key rotation 360° (2 key retraction positions)
- Drilling protection (AB=), locking wave (SW=), additional lateral scanning, security card depending on profile (PR=)
- Key with round metal head
- Spherical cylinder core head with reinforced key guide
- Core pins made of special wear-resistant bronze
- Fixing with M30x1.5 housing nut
- Locking direction of locking lever must be specified when ordering

## Accessories/Individual parts

- Shim (gap filler) 1901,VAR=0160508
- Shim (gap filler) 1901,VAR=0160501
- Shim (gap filler) 1901,VAR=0160503
- Shim (gap filler) 1901,VAR=0160510
- Ring nut 1903,VAR=1656002

## Compatible ASSA ABLOY products

- Escutcheon with rain protection cover 1254,AUS=1
- Maintenance spray 8511

## Scope of delivery

- 1 locking lever cylinder
- 2 nickel silver keys
- 1 housing nut M30 x 1.5
- 1 installation kit 1915,AUS=SATZ 001 (2 locking lever nuts M10 x 0,75, 5 shim 1mm, 1 catchplate, 1 setscrew M2,5 x 10)



# 5449,AUS=E29- 34 Universal locking lever cylinder with adjustable lever distance - system TK5

30mm diameter, laterally flattened to 22mm

Current profiles for individual locking

Profile (PR=)	Standard profile N2.	Locking wave profile 2PE
<b>Profile version</b>	61	54
<b>With security card</b>	No	Yes
<b>included</b>		
Drilling protection (AB=)	Stahlstifte und Stahlkugeln	2
Emergency device (GE=)	optional	BS
Locking wave (SW=)	-	1
VdS class	-	Class B+
RAL quality symbol	-	Yes
DIN class	-	Class 82
<b>Modular system (GBK=)</b>	-	-
<b>Additional lateral pins</b>	-	4
<b>Factory-keyed profile/Client profile</b>	Factory-keyed profile	Factory-keyed profile
<b>Key head shape</b>	Round	Round



ASSA ABLOY  
Sicherheitstechnik GmbH  
Goerzallee 299  
14167 Berlin  
berlin@assaabloy.de  
Tel. +4930 8106-0  
Fax +4930 8106-26 00  
www.assaabloy.de

ASSA ABLOY, the global leader  
in door opening solutions