

# 5457 Switching cylinder - system TK5

30mm diameter, laterally flattened to 28 mm

Mechanical locking cylinders

Switching cylinder



Locking cylinders form the core element of secure locking systems and represent IKON's core competency. The product range meets challenging security requirements with sophisticated solutions. High-quality IKON locking cylinders provide high protection against intruders. Standard equipment in this respect includes anti-drilling devices, security cards and panic functions. Patented profiles are a direct result of decades of experience gained in precision engineering and are effectively equipped against even the latest intrusion or burglary techniques. These features include innovative VECTOR profiles and the IKON reversible key profile WSW-W10.

## Area of Application

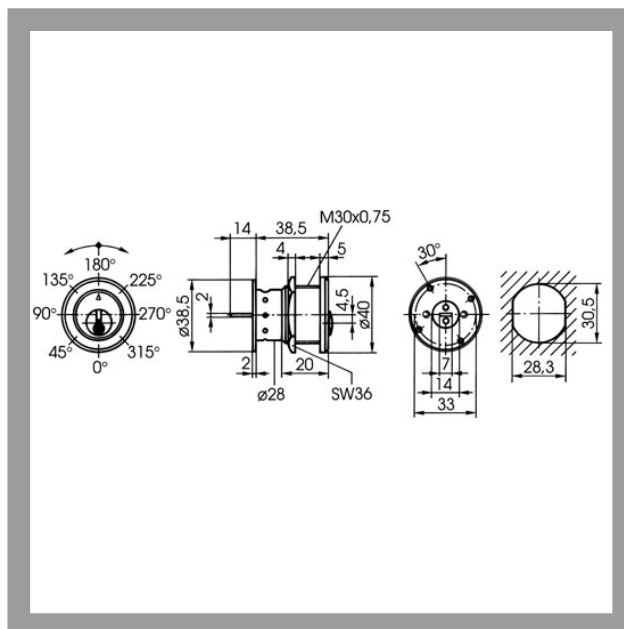
Switching cylinders are mainly used for electrical equipment, switching systems or lift controls. IKON supplies different switch cylinder versions to suit various areas of application.

**ZIKON**  
**ASSA ABLOY**

ASSA ABLOY, the global leader  
in door opening solutions

# 5457 Switching cylinder - system TK5

30mm diameter, laterally flattened to 28 mm



## Product description

- 5 pin tumblers
- Brass cylinder
- Standard finish, matt chrome-plated (OF=MC)
- Bespoke finishes not available
- Up to 8 switching and key withdrawal positions (8x45°) can be achieved by drilling to a diameter of 4.5 mm at the required positions. Length of cam latch 12 mm.
- Locking wave (SW=), additional lateral scanning and security card depending on profile (PR=)
- Key with round metal head
- Spherical cylinder core head with reinforced key guide
- Core pins made of special wear-resistant bronze

## Compatible ASSA ABLOY products

- Maintenance spray 8511

## Scope of delivery

- 1 switching cylinder
- 2 nickel silver keys
- 1 casing screw nut M30 x 0.75



# 5457 Switching cylinder - system TK5

30mm diameter, laterally flattened to 28 mm

Current profiles for individual locking

Profile (PR=)	Standard profile N2.	Locking wave profile 2PE
<b>Profile version</b>	61	54
<b>With security card</b>	No	Yes
<b>included</b>		
Drilling protection (AB=)	Stahlstifte und Stahlkugeln	2
Emergency device (GE=)	optional	BS
Locking wave (SW=)	-	1
VdS class	-	Class B+
RAL quality symbol	-	Yes
DIN class	-	Class 82
<b>Modular system (GBK=)</b>	-	-
<b>Additional lateral pins</b>	-	4
<b>Factory-keyed profile/Client profile</b>	Factory-keyed profile	Factory-keyed profile
<b>Key head shape</b>	Round	Round



ASSA ABLOY  
Sicherheitstechnik GmbH  
Goerzallee 299  
14167 Berlin  
berlin@assaabloy.de  
Tel. +4930 8106-0  
Fax +4930 8106-26 00  
www.assaabloy.de

ASSA ABLOY, the global leader  
in door opening solutions