

5511 Switching cylinder - system TK5

Mechanical locking cylinders

Switching cylinder

30mm diameter, laterally flattened to 22mm



Locking cylinders form the core element of secure locking systems and represent IKON's core competency. The product range meets challenging security requirements with sophisticated solutions. High-quality IKON locking cylinders provide high protection against intruders. Standard equipment in this respect includes anti-drilling devices, security cards and panic functions. Patented profiles are a direct result of decades of experience gained in precision engineering and are effectively equipped against even the latest intrusion or burglary techniques. These features include innovative VECTOR profiles and the IKON reversible key profile WSW-W10.

Area of Application

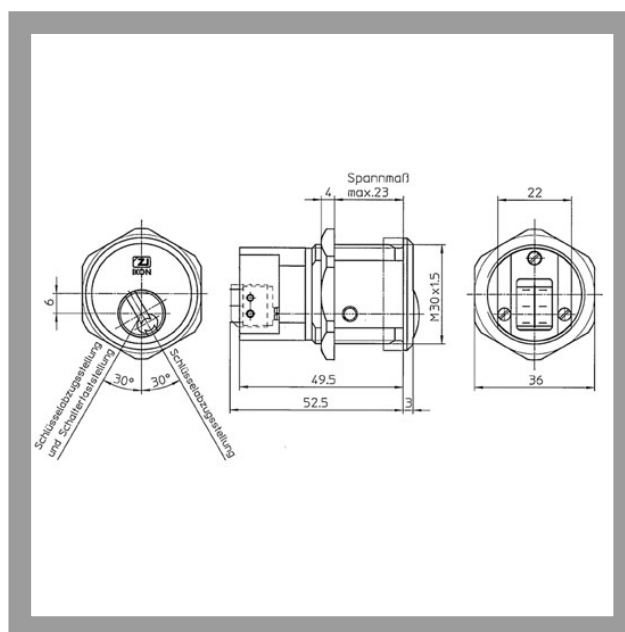
Switching cylinders are mainly used for electrical equipment, switching systems or lift controls. IKON supplies different switch cylinder versions to suit various areas of application.

IKON
ASSA ABLOY

ASSA ABLOY, the global leader
in door opening solutions

5511 Switching cylinder - system TK5

30mm diameter, laterally flattened to 22mm



Product description

- 5 pin tumblers
- Brass cylinder
- Standard finish, satin nickel-plated (OF=MV)
- Other surfaces: brass, mat brushed (OF=MG), polished brass (OF=MP)
- Switching cylinder with 2 key withdrawal positions
- Two microswitches F477 (Burgess) (VAC 250 V/ resistive load 5A, VAC 250 V/ inductive load 0.5 A)
- Key rotation 60°
- A rotation actuates switching device (e.g. underground car parks, etc.).
- Available for stand-alone locks
- Key with round metal head
- Spherical cylinder core head with reinforced key guide

Scope of delivery

- 1 switching cylinder
- 2 nickel silver keys

ZIKON
ASSA ABLOY

5511 Switching cylinder - system TK5

30mm diameter, laterally flattened to
22mm

Current profiles for individual locking

Profile (PR=)	Standard profile N2.	Locking wave profile 2PE
Profile version	61	54
With security card included	No	Yes
Drilling protection (AB=)	Stahlstifte und Stahlkugeln	2
Emergency device (GE=)	optional	BS
Locking wave (SW=)	-	1
VdS class	-	Class B+
RAL quality symbol	-	Yes
DIN class	-	Class 82
Modular system (GBK=)	-	-
Additional lateral pins	-	4
Factory-keyed profile/Client profile	Factory-keyed profile	Factory-keyed profile
Key head shape	Round	Round



ASSA ABLOY
Sicherheitstechnik GmbH
Goerzallee 299
14167 Berlin
berlin@assaabloy.de
Tel. +4930 8106-0
Fax +4930 8106-26 00
www.assaabloy.de

ASSA ABLOY, the global leader
in door opening solutions