

5534,KNF=2 Knob cylinder - system TK5

Mechanical locking cylinders

Knob cylinder

Small tapered knob with 28 mm diameter



Locking cylinders form the core element of secure locking systems and represent IKON's core competency. The product range meets challenging security requirements with sophisticated solutions. High-quality IKON locking cylinders provide high protection against intruders and a huge amount - related to the cylinder type - are certified to meet appropriate standards. Standard equipment in this respect includes anti-drilling devices, security cards and panic functions. Patented profiles are a direct result of decades of experience gained in precision engineering and are effectively equipped against even the latest intrusion or burglary techniques. These features include innovative VECTOR profiles and the IKON reversible key profile WSW-W10.

Area of Application

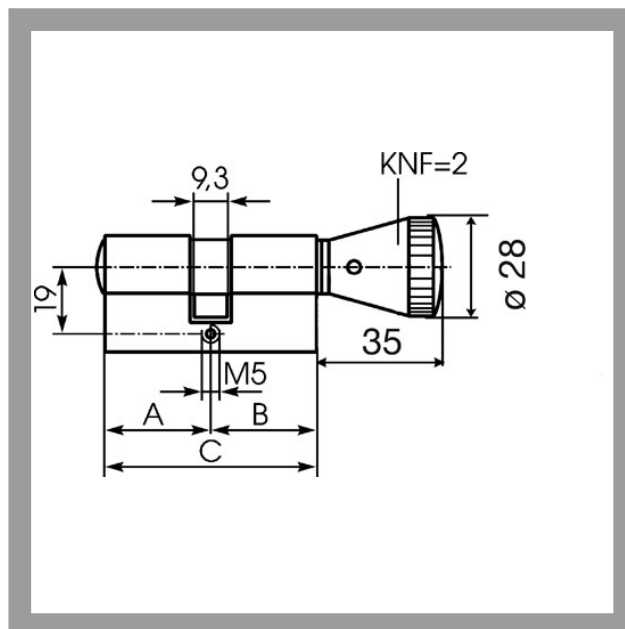
Knob cylinders are frequently used for conference rooms, hotels or care homes and apartment doors. The inner rotary knob is used for simple locking of the door, therefore a key is not required for indoors. IKON supplies different knob designs, ranging from knurled to recessed handle knobs. Due to their characteristics, knob cylinders are especially suitable and easily operated by the young and the elderly.


ASSA ABLOY

ASSA ABLOY, the global leader
in door opening solutions

5534,KNF=2 Knob cylinder - system TK5

Small tapered knob with 28 mm diameter



Product description

- 5 pin tumblers
- Brass cylinder
- Standard knob colour brass, satin nickel-plated (KNF=2MV)
- Other knob colours: brass, mat brushed (KNF=2MG), polished brass (KNF=2MP)
- Standard finish, satin nickel-plated (OF=MV)
- Other surfaces: brass, mat brushed (OF=MG), polished brass (OF=MP)
- Basic cylinder length 61mm (C) - A/B (L=30/30) other installation lengths available
- Standard cam position (SST=30°)
- Knob shaft extension in mm (KWV=20, 30, 40, 50, 60, 70, 80, 90, 100)
- Drilling protection (AB=), locking wave (SW=), additional lateral scanning, security card depending on profile (PR=)
- VdS class, RAL quality symbol, DIN class, depending on profile (PR=)
- Key with round metal head
- Spherical cylinder core head with reinforced key guide
- Cam made of break and corrosion-resistant nickel silver profile
- Core pins made of special wear-resistant bronze

Accessories/Individual parts

- Cylinder fixing screw 1149

Compatible ASSA ABLOY products

- Maintenance spray 8511
- Garage rod lock standard package 9M31
- Protector bar DRS 8443
- Protector bar DRS 8444
- Protector bar DRS 8446
- Protector bar DRS 8447
- Protector bar DRS 8448
- Protector bar DRS 8449
- Escutcheon with rain protection cover 1279
- Escutcheon with rain protection cover and toggle lock 1288

Scope of delivery

- 1 knob cylinder
- 3 nickel silver keys
- 1 cylinder fixing screw M5 x 85mm



5534,KNF=2 Knob cylinder - system TK5

Small tapered knob with 28 mm diameter

Current profiles for individual locking

Profile (PR=)	Standard profile N2.	Locking wave profile 2PE
Profile version	61	54
With security card	No	Yes
included		
Drilling protection (AB=)	Stahlstifte und Stahlkugeln	2
Emergency device (GE=)	optional	BS
Locking wave (SW=)	-	1
VdS class	-	Class B+
RAL quality symbol	-	Yes
DIN class	-	Class 82
Modular system (GBK=)	-	-
Additional lateral pins	-	4
Factory-keyed profile/Client profile	Factory-keyed profile	Factory-keyed profile
Key head shape	Round	Round



ASSA ABLOY
Sicherheitstechnik GmbH
Goerzallee 299
14167 Berlin
berlin@assaabloy.de
Tel. +4930 8106-0
Fax +4930 8106-26 00
www.assaabloy.de

ASSA ABLOY, the global leader
in door opening solutions