

5583 Furniture cylinder - system TK5

Mechanical locking cylinders

Furniture cylinders and locks



29mm diameter



Locking cylinders form the core element of secure locking systems and represent IKON's core competency. The product range meets challenging security requirements with sophisticated solutions. High-quality IKON locking cylinders provide high protection against intruders. Standard equipment in this respect includes anti-drilling devices, security cards and panic functions. Patented profiles are a direct result of decades of experience gained in precision engineering and are effectively equipped against even the latest intrusion or burglary techniques. These features include innovative VECTOR profiles and the IKON reversible key profile WSW-W10.

Area of Application

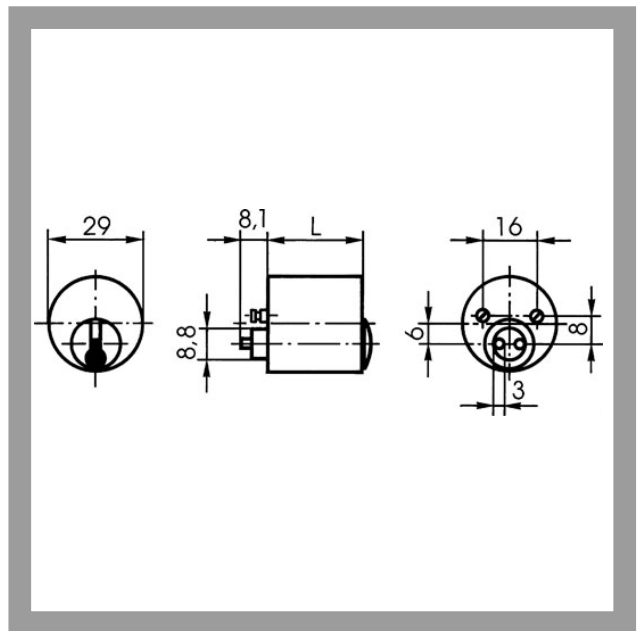
Furniture cylinders are used in conjunction with IKON furniture locks. Furniture cylinders can, depending on the version, be integrated in locking systems.

IKON
ASSA ABLOY

ASSA ABLOY, the global leader
in door opening solutions

5583 Furniture cylinder - system TK5

29mm diameter



Product description

- 5 pin tumblers
- Brass cylinder
- Standard finish, satin nickel-plated (OF=MV)
- Other surfaces: brass, mat brushed (OF=MG), polished brass (OF=MP)
- Standard cylinder length L=A 28mm
- Cylinder fixing from front of lock
- Cam can be supplied in either horizontal (SST=TÜR) or vertical (SST=LADE) version
- ASSA ABLOY will only accept responsibility for the correct function of cylinder and lock if those are applied in combination
- Drilling protection (AB=), locking wave (SW=), additional lateral scanning, security card depending on profile (PR=)
- Key with round metal head
- Spherical cylinder core head with reinforced key guide
- Core pins made of special wear-resistant bronze

Compatible ASSA ABLOY products

- Furniture bolt lock 8603
- Maintenance spray 8511

Scope of delivery

- 1 furniture cylinder
- 2 nickel silver keys
- 1 escutcheon

ZIKON
ASSA ABLOY

5583 Furniture cylinder - system TK5

29mm diameter

Current profiles for individual locking

Profile (PR=)	Standard profile N2.	Locking wave profile 2PE
Profile version	61	54
With security card	No	Yes
included		
Drilling protection (AB=)	Stahlstifte und Stahlkugeln	2
Emergency device (GE=)	optional	BS
Locking wave (SW=)	-	1
VdS class	-	Class B+
RAL quality symbol	-	Yes
DIN class	-	Class 82
Modular system (GBK=)	-	-
Additional lateral pins	-	4
Factory-keyed profile/Client profile	Factory-keyed profile	Factory-keyed profile
Key head shape	Round	Round



ASSA ABLOY
Sicherheitstechnik GmbH
Goerzallee 299
14167 Berlin
berlin@assaabloy.de
Tel. +4930 8106-0
Fax +4930 8106-26 00
www.assaabloy.de

ASSA ABLOY, the global leader
in door opening solutions