

# 5933 External and internal cylinder system TK5

Mechanical locking cylinders

External and internal cylinder



Locking cylinders form the core element of secure locking systems and represent IKON's core competency. The product range meets challenging security requirements with sophisticated solutions. High-quality IKON locking cylinders provide high protection against intruders. Standard equipment in this respect includes anti-drilling devices, security cards and panic functions. Patented profiles are a direct result of decades of experience gained in precision engineering and are effectively equipped against even the latest intrusion or burglary techniques. These features include innovative VECTOR profiles and the IKON reversible key profile WSW-W10.

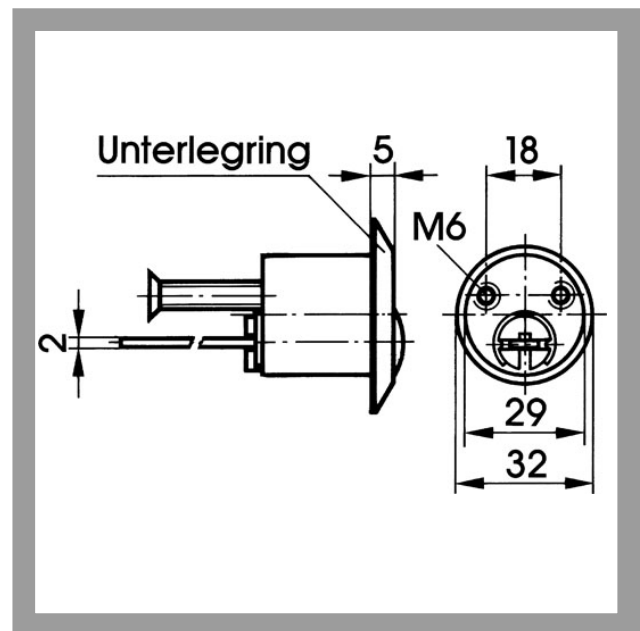
## Area of Application

The combination of internal and external cylinders is utilised in conjunction with additional locks (e.g. rim locks and multiple locking systems). This enables actuation of auxiliary locks from inside and outside.

**IKON**  
ASSA ABLOY

ASSA ABLOY, the global leader  
in door opening solutions

# 5933 External and internal cylinder system TK5



## Product description

- 5 pin tumblers
- Brass cylinder
- Standard finish, satin nickel-plated (OF=MV)
- Other surfaces: brass, mat brushed (OF=MG), polished brass (OF=MP)
- Drilling protection (AB=), locking wave (SW=), additional lateral scanning, security card depending on profile (PR=)
- Key with round metal head
- Spherical cylinder core head with reinforced key guide
- Core pins made of special wear-resistant bronze
- Both internal and external cylinders are available in P0 system. These should be ordered separately for use in respective rim locks and multiple locking systems.

## Accessories/Individual parts

- Fixing screw 1438
- Connection rod 1152
- Shim ring 1156

## Compatible ASSA ABLOY products

- Rim lock without cylinder 9133
- Rim lock without cylinder with security link 9136
- Drive unit for multiple locking system without lateral bolt 9257
- Drive unit for multiple locking system with lateral bolt 9258
- Drive unit for multiple locking system with lateral bolt and security link 9259

## Scope of delivery

- 1 external and internal cylinder
- 1 shim ring
- 3 nickel silver keys



# 5933 External and internal cylinder system TK5

## Current profiles for individual locking

Profile (PR=)	Standard profile N2.	Locking wave profile 2PE
<b>Profile version</b>	61	54
<b>With security card included</b>	No	Yes
Drilling protection (AB=)	Stahlstifte und Stahlkugeln	2
Emergency device (GE=)	optional	BS
Locking wave (SW=)	-	1
VdS class	-	Class B+
RAL quality symbol	-	Yes
DIN class	-	Class 82
<b>Modular system (GBK=)</b>	-	-
<b>Additional lateral pins</b>	-	4
<b>Factory-keyed profile/Client profile</b>	Factory-keyed profile	Factory-keyed profile
<b>Key head shape</b>	Round	Round



ASSA ABLOY  
Sicherheitstechnik GmbH  
Goerzallee 299  
14167 Berlin  
berlin@assaabloy.de  
Tel. +4930 8106-0  
Fax +4930 8106-26 00  
www.assaabloy.de

ASSA ABLOY, the global leader  
in door opening solutions