

SM13,AUS=W/603 Security fitting 381 - push plate/handle

Door fittings

Security fittings without cylinder cover

For metal frame doors



IKON provides a broad selection of security fittings and escutcheons, with or without cylinder covers. The wide range of IKON fittings is suitable for house and apartment doors, interior and exterior doors and doors made of all conventional materials. It encompasses a variety of handle fittings, a broad range of anodised finishes and colours and a quality spectrum ranging from solid aluminium fittings to premium security steel fittings. Solid steel with drilling protection and internal screw fittings with high tensile resistance form a practically impervious shield for locking cylinders.

Area of Application

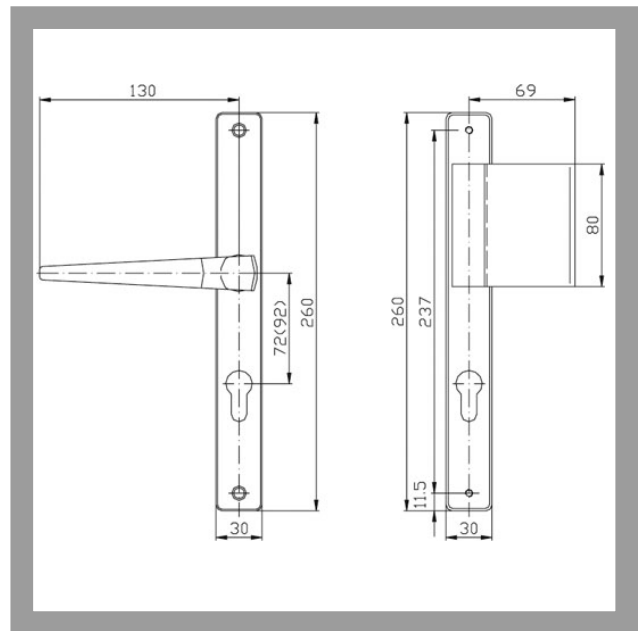
IKON security fittings with profile locking cylinder cut-out and without a cylinder cover ensure that mortise locks and locking cylinders are securely mounted on house and apartment entrance doors. They effectively resist intrusion attempts involving break-in or extraction of the cylinder. A locking cylinder with drilling protection should be utilised when employing security fittings without a cylinder cover.

IKON
ASSA ABLOY

ASSA ABLOY, the global leader
in door opening solutions

SM13,AUS=W/603 Security fitting 381 - push plate/handle

For metal frame doors



Product description

- With drilling protection plate effective protection against drilling of mortise lock
- External backplate thickness 9mm (ZUE=9) or 14mm (ZUE=14) - Internal backplate thickness 7mm
- Distance 72mm with 8mm spindle for apartment entrance doors (ABM=72/8)
- Distance 92mm with 8mm spindle for main entrance doors (ABM=92/8)
- Double screwed joint
- Standard finish anodised silver (FB=F1)
- Other finishes anodised nickel silver (FB=F2), powder coated Meta Color 1003 (FB=MC), powder coated white RAL 9016 (FB=WS)
- Available for standard metal frame door thicknesses 38-45mm (TS=38-45), prepared for profile cylinder
- Material: aluminium

Accessories/Individual parts

- Standard spindle ZH 14 1M59
- Grub screw with hardened cone point ZH51 1M93

Compatible ASSA ABLOY products

- Double cylinder .551
- Double cylinder .531

Scope of delivery

- 1 Set with fixing material



SM13,AUS=W/603 Security fitting 381 - push plate/handle

For metal frame doors

Article-No.	FB=	TS=	ABM=	ZUE=
SM13 46041	F1	38-42	72/8	9
SM13 46081	F1	38-42	72/8	14
SM13 46046	F1	38-42	92/8	9
SM13 46086	F1	38-42	92/8	14
SM13 46042	F2	38-42	72/8	9
SM13 46082	F2	38-42	72/8	14
SM13 46047	F2	38-42	92/8	9
SM13 46087	F2	38-42	92/8	14
SM13 46043	F3	38-42	72/8	9
SM13 46083	F3	38-42	72/8	14
SM13 46048	F3	38-42	92/8	9
SM13 46088	F3	38-42	92/8	14
SM13 46044	MC	38-42	72/8	9
SM13 46084	MC	38-42	72/8	14
SM13 46049	MC	38-42	92/8	9
SM13 46089	MC	38-42	92/8	14
SM13 46045	WS	38-42	72/8	9
SM13 46085	WS	38-42	72/8	14
SM13 46050	WS	38-42	92/8	9
SM13 46090	WS	38-42	92/8	14



ASSA ABLOY
Sicherheitstechnik GmbH
Goerzallee 299
14167 Berlin
berlin@assaabloy.de
Tel. +4930 8106-0
Fax +4930 8106-26 00
www.assaabloy.de

ASSA ABLOY, the global leader
in door opening solutions