

SM03,AUS=W/703 Visor fitting 5200 - push plate - U-shaped handle

Door fittings

Visor fittings

With magnetic-coded visor and cylinder cover



IKON provides a broad selection of security fittings and escutcheons, with or without cylinder covers. The wide range of IKON fittings is suitable for house and apartment doors, interior and exterior doors and doors made of all conventional materials. It encompasses a variety of handle fittings, a broad range of anodised finishes and colours and a quality spectrum ranging from solid aluminium fittings to premium security steel fittings. Solid steel with drilling protection and internal screw fittings with high tensile resistance form a practically impervious shield for locking cylinders.

Area of Application

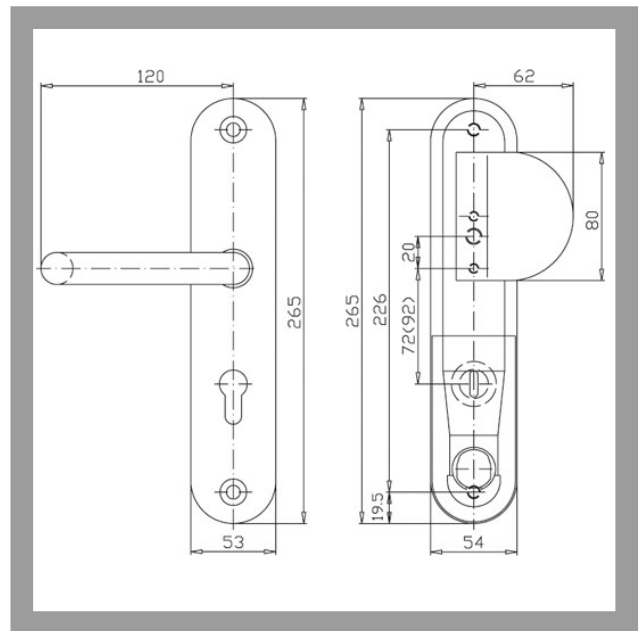
The IKON visor fitting/escutcheon is primarily used for external doors where the exercising of force or intrusion attempts on the locking cylinder can be expected. The solid sliding visor covers the cylinder and thus hinders attempts to open the locking cylinder by forcing, drilling or picking. Moreover, it also protects against gluing and blocking, as the solid visor fitting has a coded magnetic locking mechanism that covers the locking cylinder completely.


ASSA ABLOY

ASSA ABLOY, the global leader
in door opening solutions

SM03,AUS=W/703 Visor fitting 5200 - push plate - U-shaped handle

With magnetic-coded visor and cylinder cover



Product description

- The solid sliding visor covers the locking cylinder and counteracts forced intrusion (e.g. break-in, twisting, gluing or opening the locking cylinder using the picking method)
- Visor opening with coded magnetic key
- The security card enclosed prevents unauthorised acquisition of magnetic keys
- Cylinder cover can be adjusted with thread for cylinder projection from 10 to 18mm
- Distance 72mm with 8mm spindle for apartment entrance doors (ABM=72/8)
- Distance 92mm with 10mm spindle for main entrance doors (ABM=92/10)
- Double screwed joint
- Standard finish nickel silver (FB=F2)
- Other colours: silver (FB=F1) gold (FB=F3)
- Available for standard internal door thicknesses 38-45mm (TS=38-45) and standard external door thicknesses 48-55mm (TS=48-55), prepared for profile cylinder

Accessories/Individual parts

- Magnetic lock (visor) for IKON visor fitting 5200 SM29
- Additional magnetic lock key for IKON visor fitting/escutcheon SM29,TEIL=MEHRSCHLUESSEL
- Duplicate magnetic lock key magnetic lock for IKON visor fitting/escutcheon SM29,TEIL=NACHSCHLUESSEL
- A-half spindle with M6-thread ZH 8 A 1M54
- Socket screw ZH 50 1M67

Compatible ASSA ABLOY products

- Double cylinder .551
- Double cylinder .531

Scope of delivery

- 1 Set with fixing material
- 1 magnetic lock
- 3 magnetic keys
- 1 security card



SM03,AUS=W/703 Visor fitting 5200 - push plate - U- shaped handle

With magnetic-coded visor and cylinder
cover

Article-No.	FB=	TS=	ABM=
SM03 46413	F2	38-45	72/8
SM03 46422	F2	48-55	92/10
SM03 46412	F1	38-45	72/8
SM03 46421	F1	48-55	92/10
SM03 46414	F3	38-45	72/8
SM03 46423	F3	48-55	92/10



ASSA ABLOY
Sicherheitstechnik GmbH
Goerzallee 299
14167 Berlin
berlin@assaabloy.de
Tel. +4930 8106-0
Fax +4930 8106-26 00
www.assaabloy.de

ASSA ABLOY, the global leader
in door opening solutions