

SM05,AUS=W/804 ES1 Security fitting, aluminium PI Junior - push plate/handle

Door fittings

Security fittings with cylinder cover



Modular cylinder cover



IKON provides a broad selection of security fittings and escutcheons, with or without cylinder covers. The wide range of IKON fittings is suitable for house and apartment doors, interior and exterior doors and doors made of all conventional materials. It encompasses a variety of handle fittings, a broad range of anodised finishes and colours and a quality spectrum ranging from solid aluminium fittings to premium security steel fittings. Solid steel with drilling protection and internal screw fittings with high tensile resistance form a practically impervious shield for locking cylinders.

Area of Application

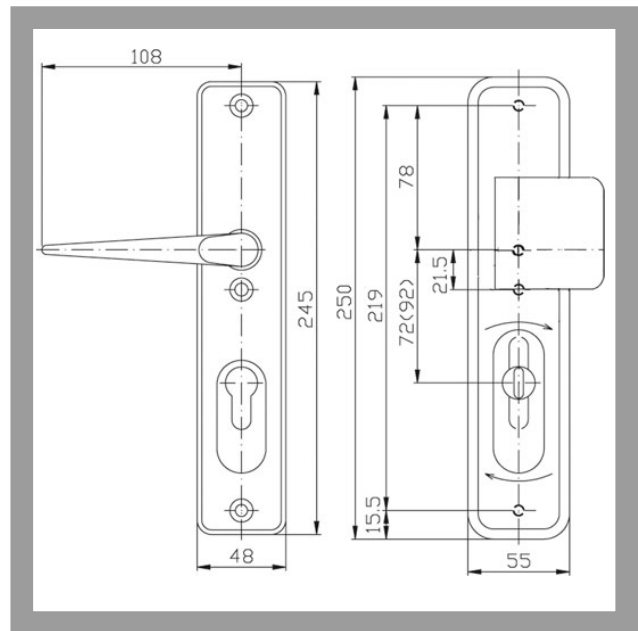
IKON security fittings with profile locking cylinder cut-out and a cylinder cover ensure that mortise locks and locking cylinders are securely mounted on house and apartment entrance doors. They effectively resist intrusion attempts involving drilling, break-in and extraction of the cylinder.

IKON
ASSA ABLOY

ASSA ABLOY, the global leader
in door opening solutions

SM05,AUS=W/804 ES1 Security fitting, aluminium PI Junior - push plate/handle

Modular cylinder cover



Product description

- The patented reversible insert is hardened to provide drilling protection for the cylinder cover (only variant ES1 and ES2 - ES0 is not hardened) and enables simple adjustment of the distance from 72mm to 92mm and vice versa
- The internal hardened steel tray effectively protects the mortise lock against drilling
- Screw cams with drilling protection made of stainless steel
- A locking cylinder completely imbedded in the fitting protects against intrusion attempts
- For cylinder projection from 8 to 18mm
- External backplate thickness 18mm - Internal backplate thickness 7mm
- Distance 72mm with 8mm spindle for apartment entrance doors (ABM=72/8) or distance 92mm with 10mm spindle (through sleeve) for main entrance doors (ABM=92/10)
- Triple screwed joint
- Standard finish nickel silver (FB=F2)
- Other colours: silver (FB=F1) gold (FB=F3)
- Available for standard door thicknesses 38-50mm (TS=38-50), prepared for profile cylinder
- Material: aluminium
- Square-edged design

Accessories/Individual parts

- A-half spindle with M6-thread ZH 8 A 1M54
- Socket screw ZH 50 1M67

Compatible ASSA ABLOY products

- Double cylinder .551
- Double cylinder .531

Scope of delivery

- 1 Set with fixing material

ZIKON
ASSA ABLOY

SM05,AUS=W/804 ES1

Security fitting, aluminium PI

Junior - push plate/handle

Modular cylinder cover

Article-No.	FB=	TS=	ABM=
SM05 45517	F2	38-50	72/8 + 92/10
SM05 45516	F1	38-50	72/8 + 92/10
SM05 45518	F3	38-50	72/8 + 92/10



ASSA ABLOY
Sicherheitstechnik GmbH
Goerzallee 299
14167 Berlin
berlin@assaabloy.de
Tel. +4930 8106-0
Fax +4930 8106-26 00
www.assaabloy.de

ASSA ABLOY, the global leader
in door opening solutions