

SM01,AUS=W/804 ES1 Security fitting 672 with cylinder cover - push plate/handle

Door fittings

Security fittings with cylinder cover



IKON provides a broad selection of security fittings and escutcheons, with or without cylinder covers. The wide range of IKON fittings is suitable for house and apartment doors, interior and exterior doors and doors made of all conventional materials. It encompasses a variety of handle fittings, a broad range of anodised finishes and colours and a quality spectrum ranging from solid aluminium fittings to premium security steel fittings. Solid steel with drilling protection and internal screw fittings with high tensile resistance form a practically impervious shield for locking cylinders.

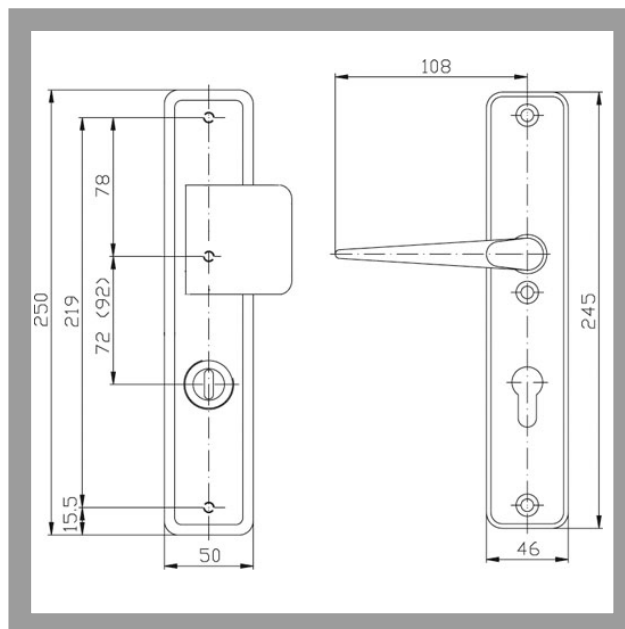
Area of Application

IKON security fittings with profile locking cylinder cut-out and a cylinder cover ensure that mortise locks and locking cylinders are securely mounted on house and apartment entrance doors. They effectively resist intrusion attempts involving drilling, break-in and extraction of the cylinder.


ASSA ABLOY

ASSA ABLOY, the global leader
in door opening solutions

SM01,AUS=W/804 ES1 Security fitting 672 with cylinder cover - push plate/handle



Product description

- A locking cylinder completely imbedded in the fitting protects against intrusion attempts
- The solid internal steel plate provides effective drilling protection for the mortise lock
- Cylinder cover can be adjusted with thread for cylinder projection from 12 to 16mm
- External backplate thickness 18mm - Internal backplate thickness 7mm
- Distance 72mm with 8mm spindle for apartment entrance doors (ABM=72/8)
- Distance 92mm with 10mm spindle for main entrance doors (ABM=92/10)
- Triple screwed joint
- Standard finish nickel silver (FB=F2)
- Alternative colours: silver (FB=F1) gold (FB=F3), Meta Colour 1003 coated (FB=MC), white RAL 9016 coated (FB=WS)
- Available for standard internal door thicknesses 38-45mm (TS=38-45) and standard external door thicknesses 48-55mm (TS=48-55), prepared for profile cylinder
- Material: aluminium

Accessories/Individual parts

- A-half spindle with M6-thread ZH 8 A 1M54
- Socket screw ZH 50 1M67

Compatible ASSA ABLOY products

- Double cylinder .551
- Double cylinder .531

Scope of delivery

- 1 Set with fixing material



SM01,AUS=W/804 ES1 Security fitting 672 with cylinder cover - push plate/handle

Article-No.	FB=	TS=	ABM=
SM01 46342	F2	38-45	72/8
SM01 46357	F2	48-55	92/10
SM01 46341	F1	38-45	72/8
SM01 46356	F1	48-55	92/10
SM01 46343	F3	38-45	72/8
SM01 46358	F3	48-55	92/10
SM01 46344	MC	38-45	72/8
SM01 46359	MC	48-55	92/10
SM01 46345	WS	38-45	72/8
SM01 46360	WS	48-55	92/10



ASSA ABLOY
Sicherheitstechnik GmbH
Goerzallee 299
14167 Berlin
berlin@assaabloy.de
Tel. +4930 8106-0
Fax +4930 8106-26 00
www.assaabloy.de

ASSA ABLOY, the global leader
in door opening solutions