

8074 Security key safe tube

Safes

Mini safes

Suitable for wall mounting



IKON mini safes are particularly suitable as organisation media, as they can be used as key deposits, key issuing solutions and fire brigade safes. The installation outlay required for a mini safe is relatively small. A mini safe is also ideally suited for integration in existing locking systems, as it is prepared for profile half-cylinders. Mini safes thus provide ideal key organisation and storage solutions for security firms, fire brigades and mobile radio stations, whether in external brick work or internally. IKON mini safes can be installed separately in the wall or floor, or in combination with a safe box or safe pillar. The security tube principle ensures that the potentially assaulted surface is kept to a minimum while providing effective and secure protection for keys and valuables in spite of small dimensions.

Area of Application

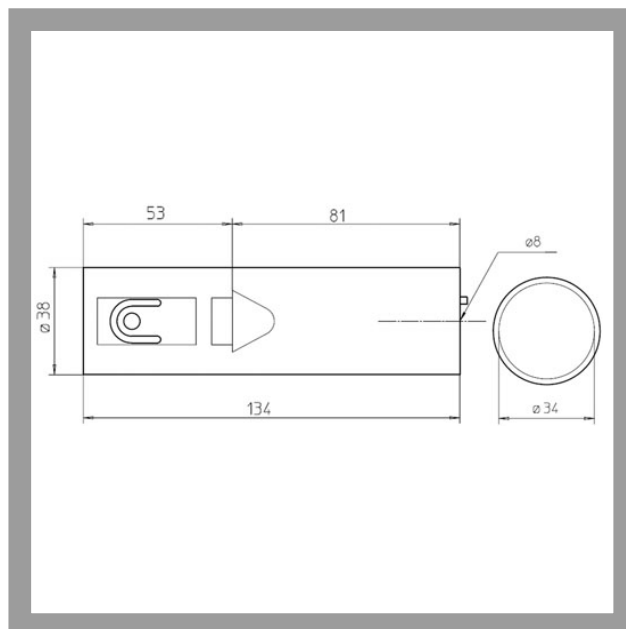
The IKON Security Key Safe Tube is ideal for flush mounting in a wall. The Security Key Safe Tube is locked using the IKON Special Cylinder .549 and is thus suitable for use in locking systems.


ASSA ABLOY

ASSA ABLOY, the global leader
in door opening solutions

8074 Security key safe tube

Suitable for wall mounting



Product description

- Suitable for wall mounting
- Key-safe tube locking realised via IKON locking cylinder .549
- Length 134 mm
- Galvanised surface
- Material: steel

Compatible ASSA ABLOY products

- Special cylinder with key-safe tube .549 / .49

Scope of delivery

- 1 security key safe tube



8074 Security key safe tube

Suitable for wall mounting

Article-No.

8074

ASSA ABLOY
Sicherheitstechnik GmbH
Goerzallee 299
14167 Berlin
berlin@assaabloy.de
Tel. +4930 8106-0
Fax +4930 8106-26 00
www.assaabloy.de



ASSA ABLOY, the global leader
in door opening solutions