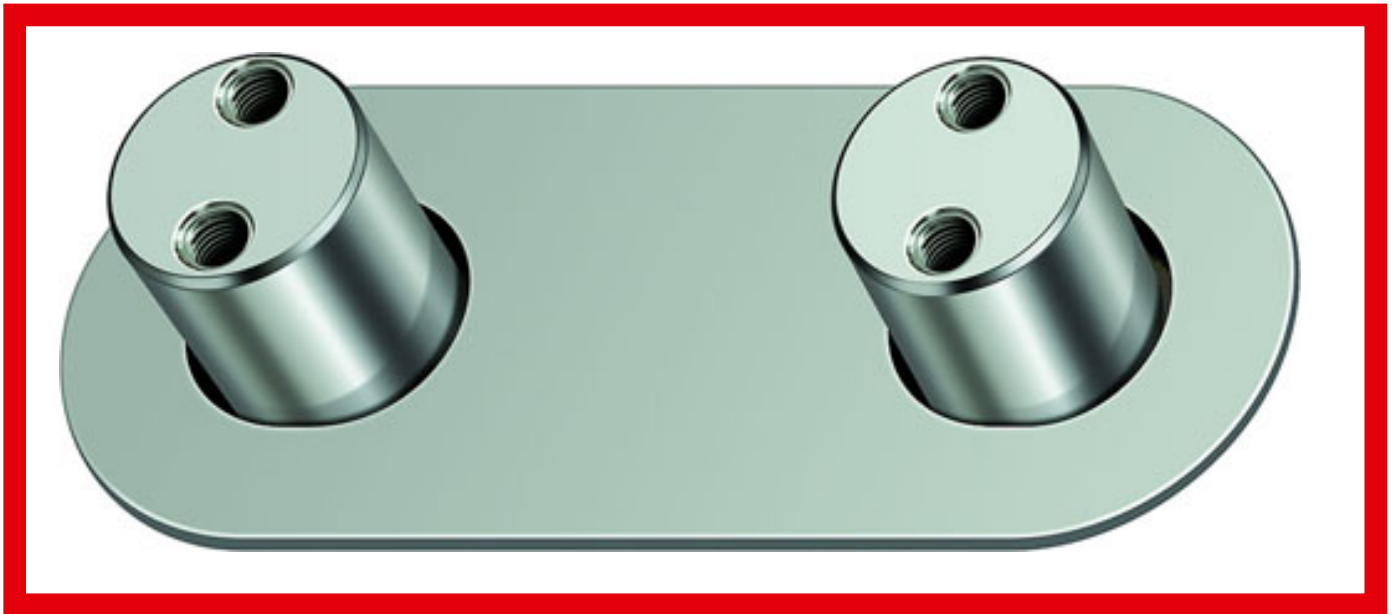


8442 Mounting set DRS

Additional door locks and security devices

Cross bar and garage door locks

For outward-opening doors



IKON provides a wide range of accessories and spare parts. Please note that the overall quality of IKON products can only be ensured if suitable original components are used.

Area of Application

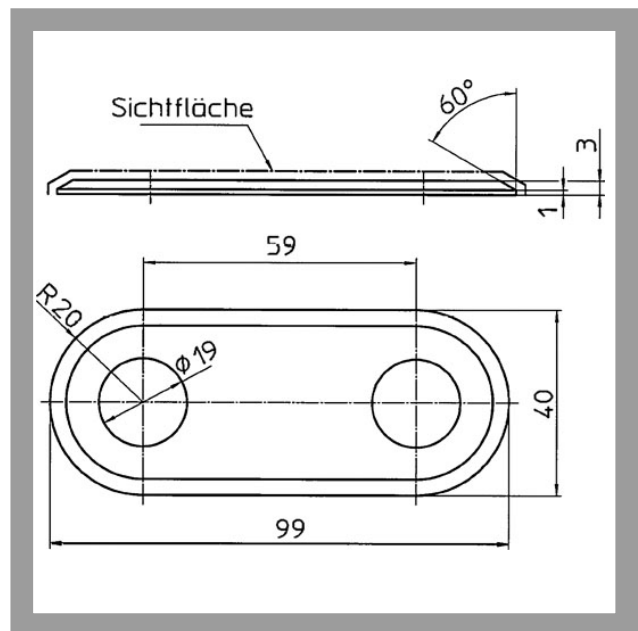
The 8442 fitting set is a type of mounting for doors which open outwards. As intense forces act on the screw connections on the crossbar fitted to the door leaf on these doors when a break-in is attempted, this fitting set ensures the crossbar is screwed on solidly through the door.


ASSA ABLOY

ASSA ABLOY, the global leader
in door opening solutions

8442 Mounting set DRS

For outward-opening doors



Product description

- The mounting set is screwed additionally through the door leaf to the bolt for extra security
- Material shim: steel
- Material plugs: hardened steel

Compatible ASSA ABLOY products

- Protector bar DRS 8443
- Protector bar DRS 8444
- Protector bar DRS 8446
- Protector bar DRS 8447
- Protector bar DRS 8448
- Protector bar DRS 8449

Scope of delivery

- 2 shims
- 4 plugs with fixing material



8442 Mounting set DRS

For outward-opening doors

Article-No.

8442

ASSA ABLOY
Sicherheitstechnik GmbH
Goerzallee 299
14167 Berlin
berlin@assaabloy.de
Tel. +4930 8106-0
Fax +4930 8106-26 00
www.assaabloy.de



ASSA ABLOY, the global leader
in door opening solutions