

# 8449 Protector bar DRS

With security link and two vertical blocking elements

Additional door locks and security devices

Cross bar and garage door locks



Forcing of doors on the lock or hinge side is one of the most frequent intrusion methods. Important (and often underestimated) additional protection for doors is provided in particular by IKON cross bars and rod locks. They effectively secure the main entrance or apartment door and basement or garage doors and round off perfectly the IKON range of auxiliary locks.

## Area of Application

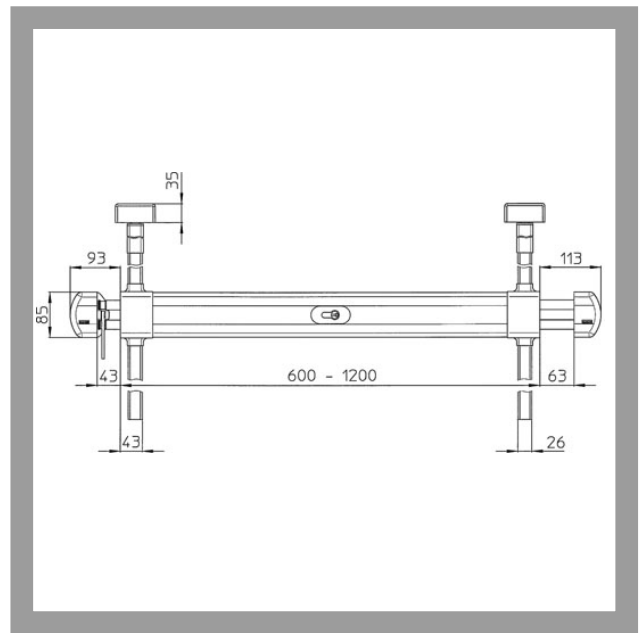
This IKON Protector bar DRS provides security across the entire door width. The IKON Protector bar is generally used on apartment or house entrance doors offering additional security in conjunction with mortise locks, locking cylinders and security fittings. The Protector bar DRS can be rapidly mounted and adapted to suit all conventional door widths. Different door leaf widths are compensated for by an integrated adjusting mechanism. Additional vertical locking mechanisms can be optionally combined. The IKON Protector bar is designed for profile locking cylinders, enabling installation of the same locking mechanism as encountered on, for example, the main door lock.



ASSA ABLOY, the global leader  
in door opening solutions

# 8449 Protector bar DRS

With security link and two vertical blocking elements



## Product description

- Provides optimum protection against intrusion and levering open of the door on hinge and lock side
- With security link system for added security, even when door is opened for security check
- Patented dual dead bolt system (DRS) With two fully-extended dead bolts on each side for four-fold security
- The addition of two vertical blocking elements (left and right) ensures eight-fold security
- Vertical blocking element(s): Dead bolt throw via rods, double turn, 17mm
- Rods and rod covers for door height up to 240cm (1x approx. 1000mm + 1x approx. 1400mm)
- Suitable for door widths from 600 to 1200mm
- Solid hardened steel dead bolt
- Freely-rotating dead bolt impedes tampering with tools
- 3-point anchoring of lock case with solid masonry anchor
- Standard finish white (FB=WS)
- Other finishes brown (FB=BN), silver (FB=SGR)
- VdS approval only in combination with a security escutcheon and a VdS-A approved locking cylinder
- A simple conversion of the locking direction means the same locking direction as the main lock can be achieved; suitable for DIN left and right applications
- Material: steel

## Accessories/Individual parts

- Security escutcheon with cylinder cover S464
- Security escutcheon with cylinder cover 9M28,TEIL=SCHUTZROS
- Masonry strike plate 8451
- Mounting set DRS 8442
- Bolt for multiple locking system 1080

## Compatible ASSA ABLOY products

- Double cylinder .531
- Knob cylinder .534,KNF=2
- Spyhole 201 MC 9M35

## Scope of delivery

- 1 Protector bar with security link and fixing material (without security escutcheon 4000R 9M28,TEIL=SCHUTZROS)
- 2 vertical units (consisting of two (dead bolt 1080 + 1080;VAR=DRS + lock case 1077 + connection rod 1954))
- 1 Mounting cylinder L=60/30 for door thickness 40-44mm (without VdS approval)



# 8449 Protector bar DRS

With security link and two vertical blocking elements

Article-No.	FB=
8449 49103	WS
8449 49104	BN
8449 49102	SGR

ASSA ABLOY  
Sicherheitstechnik GmbH  
Goerzallee 299  
14167 Berlin  
berlin@assaabloy.de  
Tel. +4930 8106-0  
Fax +4930 8106-26 00  
www.assaabloy.de



ASSA ABLOY, the global leader  
in door opening solutions