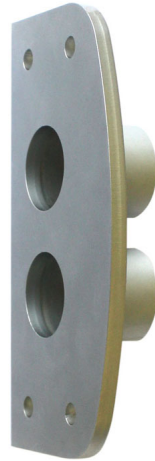


# 8451 Masonry strike plate

Additional door locks and security devices

Cross bar and garage door locks

Steel



Forcing of doors on the lock or hinge side is one of the most frequent intrusion methods. Important (and often underestimated) additional protection for doors is provided in particular by IKON cross bars and rod locks. They effectively secure the main entrance or apartment door and basement or garage doors and round off perfectly the IKON range of auxiliary locks.

## Area of Application

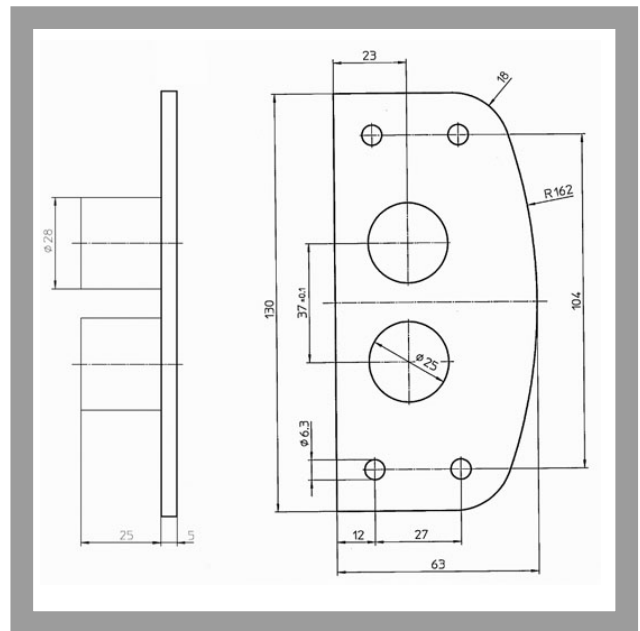
This IKON Protector bar DRS provides security across the entire door width. The IKON Protector bar is generally used on apartment or house entrance doors offering additional security in conjunction with mortise locks, locking cylinders and security fittings. The Protector bar DRS can be rapidly mounted and adapted to suit all conventional door widths. Different door leaf widths are compensated for by an integrated adjusting mechanism. Additional vertical locking mechanisms can be optionally combined. The IKON Protector bar is designed for profile locking cylinders, enabling installation of the same locking mechanism as encountered on, for example, the main door lock.

  
ASSA ABLOY

ASSA ABLOY, the global leader  
in door opening solutions

# 8451 Masonry strike plate

Steel



## Product description

- The solid dead bolts project through the strike plate directly into masonry should there be no room for the standard lock case
- Nickel-plated surface

## Compatible ASSA ABLOY products

- Protector bar DRS 8443
- Protector bar DRS 8444
- Protector bar DRS 8446
- Protector bar DRS 8447
- Protector bar DRS 8448
- Protector bar DRS 8449

## Scope of delivery

- 1 masonry strike plate with fixing material



# 8451 Masonry strike plate

Steel

Article-No.

**8451**

ASSA ABLOY  
Sicherheitstechnik GmbH  
Goerzallee 299  
14167 Berlin  
berlin@assaabloy.de  
Tel. +4930 8106-0  
Fax +4930 8106-26 00  
www.assaabloy.de



ASSA ABLOY, the global leader  
in door opening solutions