

8603 Furniture bolt lock

Surface mounted variably-adjustable
backset

Furniture locks

Furniture locks



How many important documents, personal possessions and valuables, files, plans, design drawings, instruments, medicaments, etc. are kept in drawers, compartments or safes and cabinets? All these items, which sometimes cannot be valued accurately and may frequently be irreplaceable, or possibly dangerous for people, require a secure lock. However, this lock must fit into the framework of the piece of furniture involved. IKON provides a small but effective range of bolt locks for doors and drawers and espagnolette locks for offices, households and functional furniture.

Area of Application

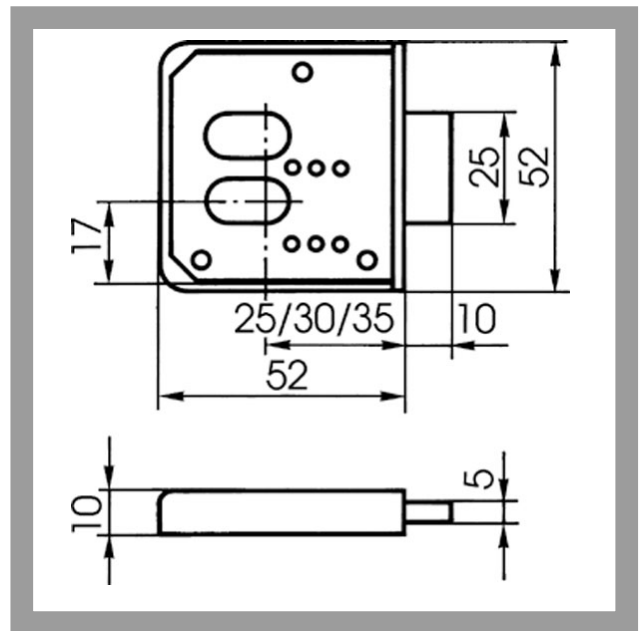
IKON furniture locks are best used in conjunction with suitable IKON locking cylinders and their accessories. The use of IKON locking cylinders in the furniture lock also enables the integration of different pieces of furniture (e.g. desks, filing cabinets, drawing cabinets, etc.) in a locking system.


ASSA ABLOY

ASSA ABLOY, the global leader
in door opening solutions

8603 Furniture bolt lock

Surface mounted variably-adjustable
backset



Product description

- Steel lock case and bolt, nickel-plated surface
- Suitable for left and right doors through repositioning of the cylinder (SST=TÜR) and drawers (SST=LADE)
- Dead bolt, single throw
- Screws are covered
- Only for use in conjunction with compatible IKON furniture cylinders
- ASSA ABLOY will only accept responsibility for the correct function of cylinder and lock if those are applied in combination

Compatible ASSA ABLOY products

- Furniture cylinder system MK5 2581
- Furniture cylinder .583

Scope of delivery

- 1 furniture bolt lock incl. strike plate



8603 Furniture bolt lock

Surface mounted variably-adjustable
backset

Article-No.

8603

ASSA ABLOY
Sicherheitstechnik GmbH
Goerzallee 299
14167 Berlin
berlin@assaabloy.de
Tel. +4930 8106-0
Fax +4930 8106-26 00
www.assaabloy.de


ASSA ABLOY

ASSA ABLOY, the global leader
in door opening solutions