

9136 Rim lock with security link, without cylinder

Additional door locks and security devices

Rim lock without mechanical locking cylinder

Type .136 without external and internal cylinder .933



IKON premium-quality locking cylinders, locks and security fittings constitute the basic equipment of secure house and apartment doors, which are complemented perfectly by IKON additional locks and security devices, not only for doors. Solid rim locks and multiple locking systems, with or without security link, provide effective additional protection as an alternative to built-in multipoint locks. IKON's know-how and decades of experience are reflected in all additional locks and security devices.

Area of Application

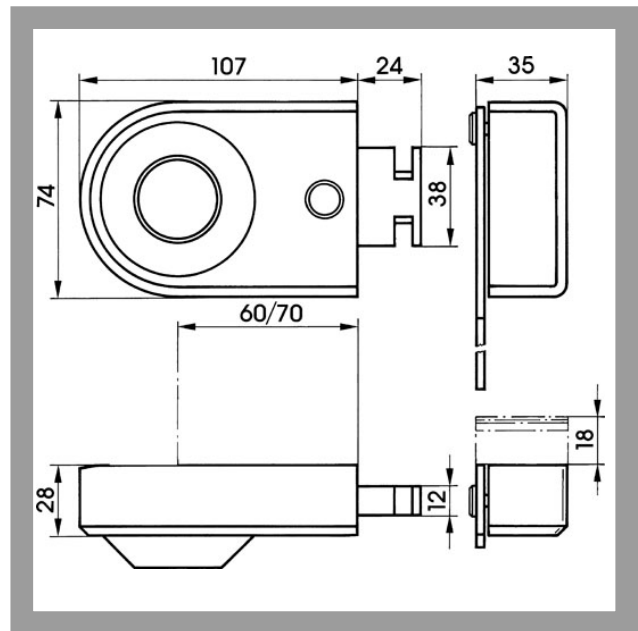
Rim locks are generally fitted in house, apartment and other entrance doors in combination with locking cylinders, mortise locks and security fittings. Rim locks are available in different door hazard warning systems complying with DIN to suit individual installations. Different equipment versions of integrated locking cylinders can be selected. Several cylinders (e.g. double cylinder for the house entrance and locking cylinder for the rim bolt lock) can, of course, be ordered for a uniform locking system, and only a single key can be used for several security components.


ASSA ABLOY

ASSA ABLOY, the global leader
in door opening solutions

9136 Rim lock with security link, without cylinder

Type .136 without external and internal cylinder .933



Product description

- Visual locking display (green/red)
- Lock and lock case made of diecast anti-corrosive zinc
- Solid brass bolt, double turn, 24mm projection
- Massive steel security link, nickel-plated for a minimum gap width
- Adjustable backset 60/70mm
- Standard finish silver grey (FB=SGR)
- Other colours: brown (FB=BN) and white (FB=WS)
- Suitable for DIN left (S=R) or DIN right (S=L)
- For rebated and non-rebated doors

Accessories/Individual parts

- Shim for lock case 1949
- Drilling protection for lock cases 1920
- Cylinder cover 1086
- Cylinder cover 1087
- Strike plate for lock case 1938,VAR=1475168
- Strike plate 1938,VAR=1475173
- Strike plate for lock case with angle 1938,VAR=1485433
- Drilling template 1922,VAR=0160450
- Shim for lock case 1948,ABM=1
- Shim for lock case 1948,ABM=13
- Shim for lock case 1948,ABM=3

Compatible ASSA ABLOY products

- External and internal cylinder set .933

Scope of delivery

- 1 rim lock
- Lock case shims (2x 1mm und 1x 3mm) for height adjustment up to 18mm



9136 Rim lock with security link, without cylinder

Type .136 without external and internal cylinder .933

Article-No.	FB=	S=
9136	SGR	L
	SGR	R
	WS	L
	WS	R
	BN	L
	BN	R

ASSA ABLOY
Sicherheitstechnik GmbH
Goerzallee 299
14167 Berlin
berlin@assaabloy.de
Tel. +4930 8106-0
Fax +4930 8106-26 00
www.assaabloy.de



ASSA ABLOY, the global leader
in door opening solutions