

# 9258 Drive unit for multiple locking system with lateral bolt

Additional door locks and security devices

Multiple locking systems without mechanical locking

Type .258 without external and internal cylinder set.933



IKON premium-quality locking cylinders, locks and security fittings constitute the basic equipment of secure house and apartment doors, which are complemented perfectly by IKON additional locks and security devices, not only for doors. Solid rim locks and multiple locking systems, with or without security link, provide effective additional protection as an alternative to built-in multipoint locks. IKON's know-how and decades of experience are reflected in all additional locks and security devices.

## Area of Application

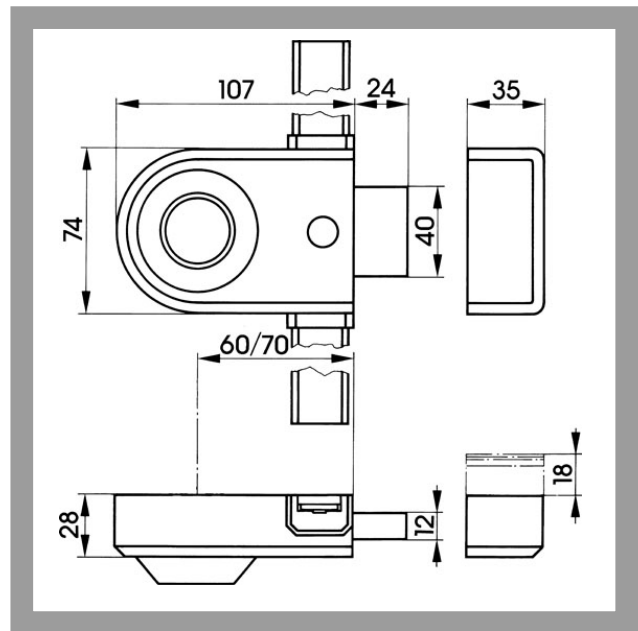
IKON multiple locking systems are generally used on house, apartment and other entrance doors in combination with locking cylinders, mortise locks and security fittings fitted to the door leaf (in contrast to multipoint locking systems integrated in the door leaf). IKON multiple locking systems are available for different DIN door directions, for rebated and non-rebated doors depending on the insulation situation and easy to mount. The integrated locking cylinder is available in different design variants (e.g. drilling protection). Several IKON locking cylinders (e.g. double cylinders for the house entrance door and locking cylinders for the rim lock) are available as keyed-alike versions.

  
ASSA ABLOY

ASSA ABLOY, the global leader  
in door opening solutions

# 9258 Drive unit for multiple locking system with lateral bolt

Type .258 without external and internal cylinder set.933



## Product description

- Visual locking display (green/red)
- Standard finish silver grey (FB=SGR)
- Other colours: brown (FB=BN) and white (FB=WS)
- With drilling protection for lock cases
- Die-cast anti-corrosive zinc lock case
- Bolt projection via rods, single turn, 17mm
- Rods and rod covers for door height up to 240cm (1x approx. 1000mm + 1x approx. 1400mm)
- Brass lateral bolt, solid, double turn, 24mm projection
- Adjustable backset 60/70mm
- Suitable for DIN left (S=R) or DIN right (S=L)
- For rebated and non-rebated doors

## Accessories/Individual parts

- Bolt for multiple locking system 1080
- Bolt set 1081
- Bolt set 1083
- Shim for lock case 1949
- Drilling protection for lock cases 1920
- Cylinder cover 1086
- Cylinder cover 1087
- Strike plate for lock case 1938,VAR=1475168
- Strike plate 1938,VAR=1475173
- Strike plate for lock case with angle 1938,VAR=1485433
- Shim for lock case 1948,ABM=1
- Shim for lock case 1948,ABM=13
- Shim for lock case 1948,ABM=3

## Compatible ASSA ABLOY products

- External and internal cylinder set .933

## Scope of delivery

- 1 drive unit
- 1 drilling protection for lock case 1920
- Lock case shims (2x 1mm und 2x 3mm) for height adjustment up to 18mm
- 1 set connection components 1954,AUS=TH240



# 9258 Drive unit for multiple locking system with lateral bolt

Type .258 without external and internal cylinder set.933

Article-No.	FB=	S=
9258	SGR	L
	SGR	R
	WS	L
	WS	R
	BN	L
	BN	R



ASSA ABLOY  
Sicherheitstechnik GmbH  
Goerzallee 299  
14167 Berlin  
berlin@assaabloy.de  
Tel. +4930 8106-0  
Fax +4930 8106-26 00  
www.assaabloy.de

ASSA ABLOY, the global leader  
in door opening solutions