

9M07 FSV window bar lock

With lockable window handle and two keys

Additional window locking devices

Window and balcony door locking devices



Door and windows are forced open with the simplest of aids in over half of break-ins. Important (and often underestimated) additional protection for doors and windows is provided in particular by the IKON claw range, with claw technology that enables the realisation of security solutions for both handle and hinge sides. Cross bars, bar locks, door handle chains and spy holes complement the IKON range of additional security devices.

Area of Application

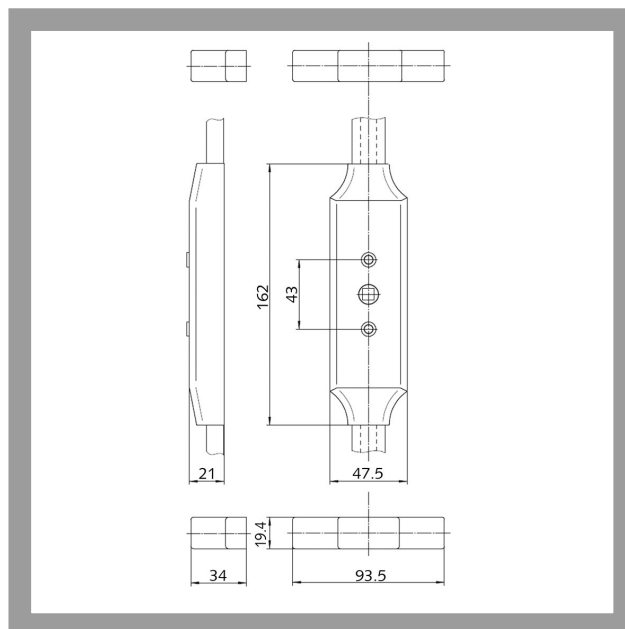
The IKON FSV window cross bar lock is suitable as an additional security device on the lock/handle side of UPVC, wooden and aluminium windows. This window security device is distinguished by simple installation and ease of handling and is used particularly for ground-floor apartments and family homes.




ASSA ABLOY, the global leader
in door opening solutions

9M07 FSV window bar lock

With lockable window handle and two keys



Product description

- Obstructs unauthorised opening of window or balcony door - patented mechanism
- Two locking points top and bottom - also secures lower locking point in tilt position
- Functions (e.g. tilting, opening) are not affected
- All IKON additional locking devices with push cylinder can optionally be keyed alike
- Spindle 7mm, screw hole distance 43mm
- Standard finish white RAL 9016 coated (FB=WS)
- Other finishes: brown (FB=BN)
- Version (AUS=ANKERPL M. GRIFF) complete package with lockable window handle and two keys, with anchor plates, optional without bar, with bar ABM=1500 or with 2 bars ABM=3000
- Version (AUS=ANKERPL O. GRIFF) package without window handle, with anchor plates, optional without bar, with bar ABM=1500 or with 2 bars ABM=3000
- Anchor plates are optionally available for U-PVC windows without reinforcement (9M43 49547)

Accessories/Individual parts

- Drilling template for FSV 9M76, TEIL=BS FSV 08
- Loose bar for IKON window bar lock FSV 9M07 9M43, TEIL=LOSE STANGE
- Cover plate for window bar lock FSV 9M07 gearing 9M43, TEIL=PVC KAPPE F GETR
- Key blanks 9M15

Compatible ASSA ABLOY products

- Lockable window handle 150 9M11

Scope of delivery

- 1 window bar lock module (gears, fixing material, lock cases, covering caps, shims and screws, with or without bars)



9M07 FSV window bar lock

With lockable window handle and two keys

Article-No.	AUS=	ABM=	FB=
9M07 49526	ANKERPL M. GRIFF	1500	WS
9M07 49527	ANKERPL M. GRIFF	1500	BN
9M07 49528	ANKERPL M. GRIFF	3000	WS
9M07 49529	ANKERPL M. GRIFF	3000	BN
9M07 49530	ANKERPL M. GRIFF	O STANGE	WS
9M07 49531	ANKERPL M. GRIFF	O STANGE	BN
9M07 49532	ANKERPL O. GRIFF	1500	WS
9M07 49533	ANKERPL O. GRIFF	1500	BN
9M07 49534	ANKERPL O. GRIFF	3000	WS
9M07 49535	ANKERPL O. GRIFF	3000	BN
9M07 49536	ANKERPL O. GRIFF	O STANGE	WS
9M07 49537	ANKERPL O. GRIFF	O STANGE	BN



ASSA ABLOY
Sicherheitstechnik GmbH
Goerzallee 299
14167 Berlin
berlin@assaabloy.de
Tel. +4930 8106-0
Fax +4930 8106-26 00
www.assaabloy.de

ASSA ABLOY, the global leader
in door opening solutions