

9M14 Lifting sliding door handle 162

Additional door locks and security devices

Lifting door and lifting sliding door handles

Lockable - with push-in cylinder and two keys



IKON provides a broad range of additional safety mechanisms for windows and balcony doors. The IKON lifting door safety mechanism also provides effective protection against intruders when utilised on lifting doors.

Area of Application

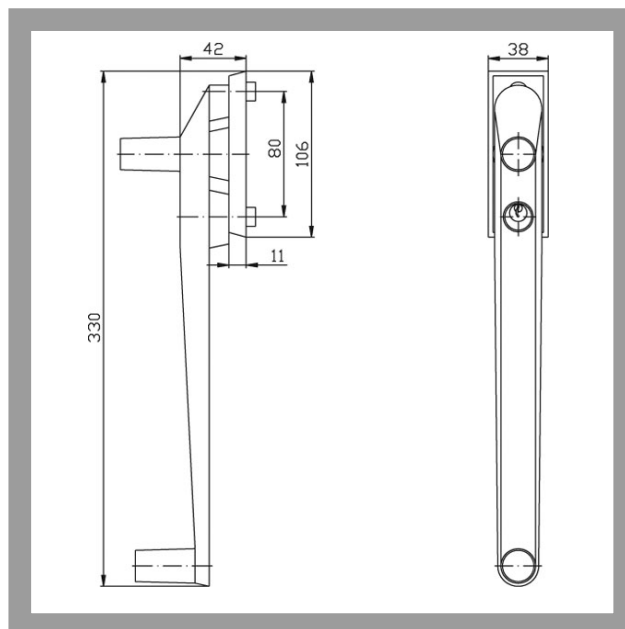
This lockable IKON door handle provides simple and easy protection for lifting sliding doors.

IKON
ASSA ABLOY

ASSA ABLOY, the global leader
in door opening solutions

9M14 Lifting sliding door handle 162

Lockable - with push-in cylinder and two keys



Product description

- Complicates unauthorised opening of the door from inside and outside - also suitable as a child safety mechanism for indoors
- Visual locking display above push cylinder
- 10mm spindle/ 10 to 12mm offset spindle
- Distance between fixing holes 80mm
- All IKON additional locking devices with push cylinder can optionally be keyed alike
- Standard finish anodised silver (FB=F1)
- Other finishes anodised nickel silver (FB=F2), powder coated Meta Color 1003 (FB=MC), powder coated white RAL 9016 (FB=WS)
- Material: aluminium

Accessories/Individual parts

- Key blanks 9M15

Scope of delivery

- 1 lifting door handle with spindle
- 1 push cylinder
- 2 keys

IKON
ASSA ABLOY

9M14 Lifting sliding door handle 162

Lockable - with push-in cylinder and two
keys

Article-No.	FB=
9M14 44986	F1
9M14 44987	F2
9M14 44988	MC
9M14 44989	WS
9M14 44991	BN

ASSA ABLOY
Sicherheitstechnik GmbH
Goerzallee 299
14167 Berlin
berlin@assaabloy.de
Tel. +4930 8106-0
Fax +4930 8106-26 00
www.assaabloy.de



ASSA ABLOY, the global leader
in door opening solutions