

# 9M18 Hinge safety mechanism without anchor 13B

Additional door locks and security devices

Hinge safety mechanism

With two tumblers - for wooden doors



Forcing of doors on the hinge side is one of the most frequent intrusion methods encountered. IKON hinge safety mechanisms provide special protection for the door frame. IKON provides a broad range of high-quality hinge safety mechanisms for every conventional door type.

#### Area of Application

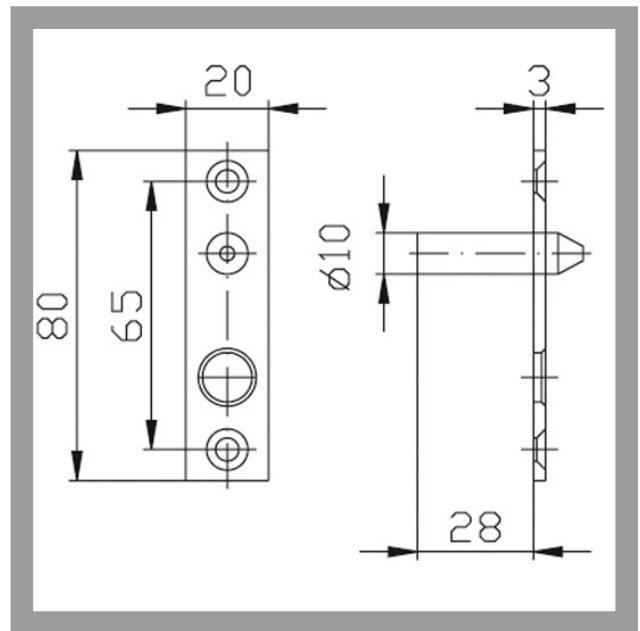
IKON hinge safety mechanisms provide additional security in the critical door hinge area. Here solid steel pins are used based on the same principle applied to safes.

**IKON**  
ASSA ABLOY

ASSA ABLOY, the global leader  
in door opening solutions

# 9M18 Hinge safety mechanism without anchor 13B

With two tumblers - for wooden doors



## Product description

- Makes forcing open the door on the hinge side more difficult
- Dimensions 80x20mm
- Material thickness 3mm
- Material: steel
- Galvanised surface
- With two tumblers

## Compatible ASSA ABLOY products

- Rim lock without security link .131
- Rim lock with security link .132
- Rim lock without security link .133
- Rim lock with security link .136
- Drive unit for multiple locking system without lateral bolt .257
- Drive unit for multiple locking system with lateral bolt .258
- Drive unit for multiple locking system with lateral bolt and security link .259
- Drive unit for multiple locking system without lateral bolt .260
- Drive unit for multiple locking system with lateral bolt .261
- Drive unit for multiple locking system with lateral bolt and security link .262

## Scope of delivery

- 1 pin component
- 1 hole component
- fixing screws



# 9M18 Hinge safety mechanism without anchor 13B

With two tumblers - for wooden doors

**Article-No.**

**9M18 44998**

**ABM=**

**80**



ASSA ABLOY  
Sicherheitstechnik GmbH  
Goerzallee 299  
14167 Berlin  
berlin@assaabloy.de  
Tel. +4930 8106-0  
Fax +4930 8106-26 00  
www.assaabloy.de

ASSA ABLOY, the global leader  
in door opening solutions