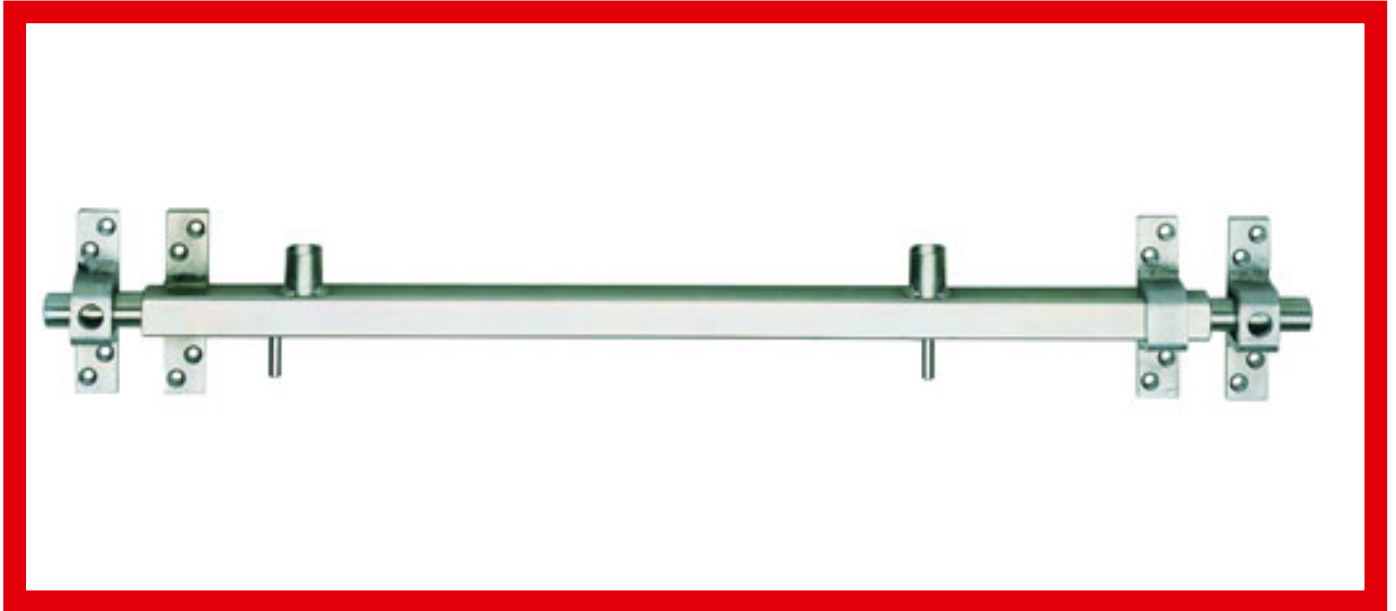


9M29,AUS=OHNE ZYL Cross bar

Additional door locks and security devices

Cross bar and garage door locks

Not lockable



Forcing of doors on the lock or hinge side is one of the most frequent intrusion methods. Important (and often underestimated) additional protection for doors is provided in particular by IKON cross bars and rod locks. They effectively secure the main entrance or apartment door and basement or garage doors and round off perfectly the IKON range of auxiliary locks.

Area of Application

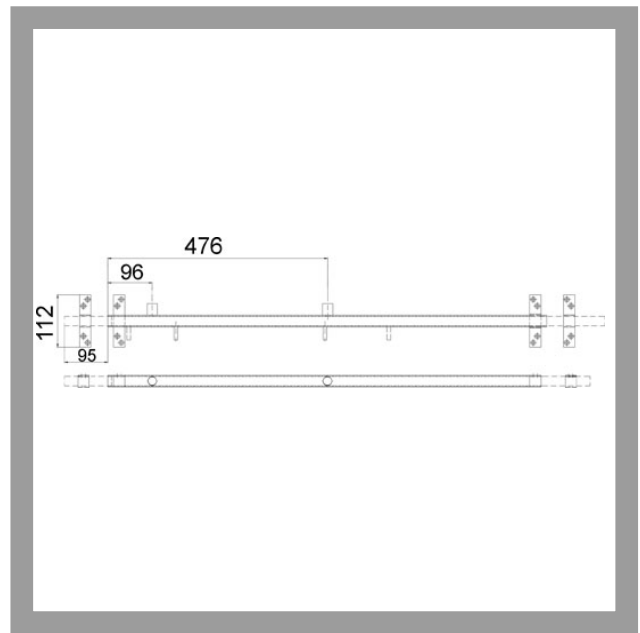
This IKON cross bar is generally used on secondary entrance doors (e.g. basement doors) to supplement mortise locks, locking cylinders and security fittings. This IKON cross bar provides security across the entire door width, as the solid steel bolt secures the door on the left and right. The cross bar can be installed quickly and adapted to suit all conventional door widths.


ASSA ABLOY

ASSA ABLOY, the global leader
in door opening solutions

9M29,AUS=OHNE ZYL Cross bar

Not lockable



Product description

- Lock cases are mounted directly on masonry and anchored with heavy-duty dowels
- Standard door width 850mm (ABM=850)
- Alternative door width 950mm (ABM=950)
- Can be shortened by 200mm for ABM=850 / Can be shortened by 300mm for ABM= 950
- Min. door width 650mm
- Dead bolt throw for ABM=850 left 130mm and right 95mm
- Dead bolt throw for ABM=950 left 125mm and right 95mm
- Material: steel
- Standard surface: galvanised

Accessories/Individual parts

- Base plate for cross bar 9M29 9M30,TEIL=707 AP
- Masonry sleeve for cross bar 9M29 9M30,TEIL=707 MH

Scope of delivery

- 1 cross bar with fixing lugs
- 2 lock cases
- screws
- dowel

ZIKON
ASSA ABLOY

9M29,AUS=OHNE ZYL Cross bar

Not lockable

Article-No.	ABM=
9M29 45168	850
9M29 45169	950

ASSA ABLOY
Sicherheitstechnik GmbH
Goerzallee 299
14167 Berlin
berlin@assaabloy.de
Tel. +4930 8106-0
Fax +4930 8106-26 00
www.assaabloy.de



ASSA ABLOY, the global leader
in door opening solutions