

9M30,TEIL=707 MH Masonry sleeve for cross bar 9M29

Additional door locks and security devices

Cross bar and garage door locks

To accept bolt



IKON provides a wide range of accessories and spare parts. Please note that the overall quality of IKON products can only be guaranteed if suitable original parts are used.

Area of Application

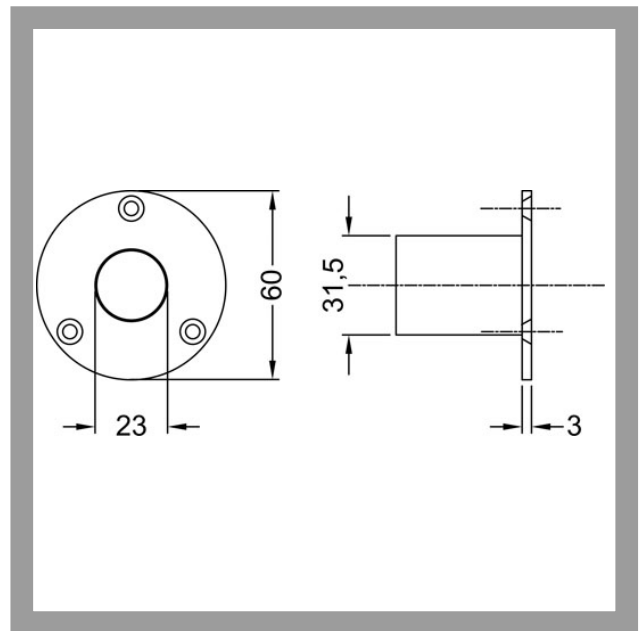
This IKON cross bar is generally used on secondary entrance doors (e.g. basement doors) to supplement mortise locks, locking cylinders and security fittings. This IKON cross bar provides security across the entire door width, as the solid steel bolt secures the door on the left and right. The cross bar can be installed quickly and adapted to suit all conventional door widths.


ASSA ABLOY

ASSA ABLOY, the global leader
in door opening solutions

9M30,TEIL=707 MH Masonry sleeve for cross bar 9M29

To accept bolt



Product description

- Accepts the bolt in masonry if installation of lock cases is not possible
- With three fixing holes
- Material: aluminium

Compatible ASSA ABLOY products

- Cross bar 9M29,AUS=DZ

Scope of delivery

- 1 pair of masonry sleeves



9M30,TEIL=707 MH Masonry sleeve for cross bar 9M29

To accept bolt

Article-No.
9M30 45175

ASSA ABLOY
Sicherheitstechnik GmbH
Goerzallee 299
14167 Berlin
berlin@assaabloy.de
Tel. +4930 8106-0
Fax +4930 8106-26 00
www.assaabloy.de



ASSA ABLOY, the global leader
in door opening solutions