

9M31 Garage rod lock standard package

Additional door locks and security devices

Cross bar and garage door locks

With positive tumbler for single-leaf
hinged doors - without locking cylinder



Forcing of doors on the lock or hinge side is one of the most frequent intrusion methods. Important (and often underestimated) additional protection for doors is provided in particular by IKON cross bars and rod locks. They effectively secure the main entrance or apartment door and basement or garage doors and round off perfectly the IKON range of auxiliary locks.

Area of Application

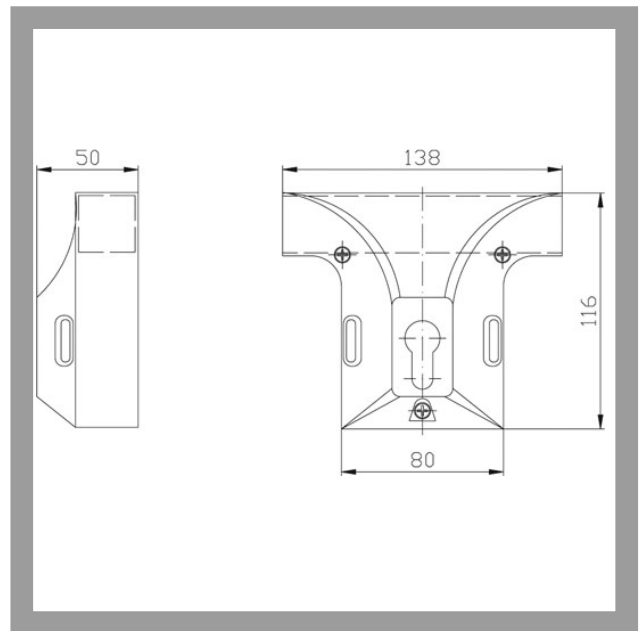
The IKON garage rod lock provides effective additional security for garages and hinged door leaves. The double lock is a horizontal execution. The locking system is a composite design consisting of steel profile rods with inserted solid steel bolts that lock in special lock cases. The aluminium lock case can be fitted with all conventionally-available profile cylinders. The lock mechanism can be easily converted from left to right. The sturdy IKON external armoured cylinder rose holds the complete locking cylinder and also protects it against the core extraction method of intrusion.


ASSA ABLOY

ASSA ABLOY, the global leader
in door opening solutions

9M31 Garage rod lock standard package

With positive tumbler for single-leaf
hinged doors - without locking cylinder



Product description

- Can only be used in conjunction with supplementary package 9M32,AUS=KNF=PDZ
- Garage door can be closed from inside and outside
- 35mm throw left and right, single turn
- Lock case and aluminium security escutcheon for external mounting
- With two steel locking rods x 1500mm
- Standard finish white RAL 9016 coated (FB=WS)
- Other finishes: brown (FB=BN)

Accessories/Individual parts

- Garage rod lock supplementary package 9M32,AUS=KNF-PDZ
- Loose rod for garage rod lock 9M33

Scope of delivery

- 1 lock case
- 1 security escutcheon for external mounting with cylinder cover
- 2 rods x 1500mm

ZIKON
ASSA ABLOY

9M31 Garage rod lock standard package

With positive tumbler for single-leaf
hinged doors - without locking cylinder

Article-No.	FB=
9M31 45176	WS
9M31 45177	BN

ASSA ABLOY
Sicherheitstechnik GmbH
Goerzallee 299
14167 Berlin
berlin@assaabloy.de
Tel. +4930 8106-0
Fax +4930 8106-26 00
www.assaabloy.de



ASSA ABLOY, the global leader
in door opening solutions