

9M40,AUS=PZ Mini safe 178

With collar to cover drill hole - with half cylinder

Safes

Mini safes



Secure is secure. Cash, jewellery and other valuables should be kept safely in the home. The IKON mini safe is an inconspicuous and secure method (e.g. when installed in a wall). The IKON mini safe range encompasses four high-performance versions in two casing sizes. The security tube principle ensures that the potentially assaulted surface of all mini safes is kept to a minimum. All mini safes are prepared for all commercially available half-cylinders and can also be integrated in locking systems with a minimum installation outlay. The top-class model 9M37 mini safe 176 provides an extremely high level of protection for valuables, despite its minimal dimensions (maximum installation depth of 150mm). Special steel and stainless steel safe boxes and safe pillars are available for fence and gate systems. IKON mini safes provide compact security.

Area of Application

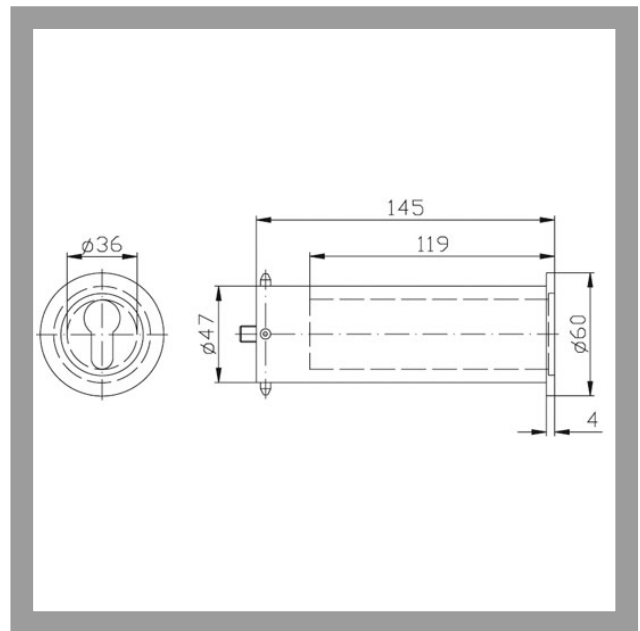
IKON mini safes are particularly suitable as organisation media, as they can be used as key deposits, key issuing solutions and fire brigade safes. The installation outlay required for a mini safe is relatively small. A mini safe is also ideally suited for integration in existing locking systems, as it is prepared for profile half-cylinders. Mini safes thus provide ideal key organisation and storage solutions for security firms, fire brigades and mobile radio stations, whether in external brick work or internally. IKON mini safes can be installed separately in the wall or floor, or in combination with a safe box or safe pillar. The security tube principle ensures that the potentially assaulted surface is kept to a minimum while providing effective and secure protection for keys and valuables in spite of small dimensions.


ASSA ABLOY

ASSA ABLOY, the global leader
in door opening solutions

9M40,AUS=PZ Mini safe 178

With collar to cover drill hole - with half cylinder



Product description

- Prepared for profile cylinder
- With stainless steel lock - 40mm thick safe lock with Janus bolt
- External dimensions 145x47mm
- Internal dimensions 79x36mm
- A 50mm diameter drill tip is required for installation

Compatible ASSA ABLOY products

- Half cylinder .532

Scope of delivery

- 1 mini safe with fixing material (incl. seal ring)
- 1 half cylinder P032 with profile N1, length 30mm with 3 keys
- 1 key ring with chain

ZIKON
ASSA ABLOY

9M40,AUS=PZ Mini safe 178

With collar to cover drill hole - with half cylinder

Article-No.

9M40 45214

ASSA ABLOY
Sicherheitstechnik GmbH
Goerzallee 299
14167 Berlin
berlin@assaabloy.de
Tel. +4930 8106-0
Fax +4930 8106-26 00
www.assaabloy.de



ASSA ABLOY, the global leader
in door opening solutions