

9M46 Bracket- security strike plate for rebated doors

Security strike plates

Bracket strike plates

With two anchors



IKON security strike plates provide the fundamental security for main entrance doors to houses and apartments in conjunction with mortise locks, locking cylinders and security fittings and offer a high degree of security against attempts to break or lever doors open. IKON strike plates are anchored in masonry with extremely long heavy-duty rawlplugs. Solid steel drill hole guide bushes with a 45° slant are extremely resistant to extraction attempts. IKON supplies a wide range of high-quality security strike plates for different applications.

Area of Application

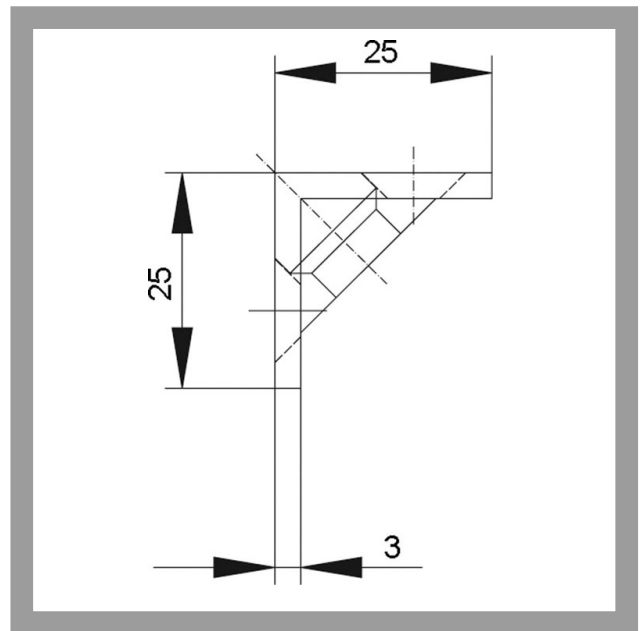
IKON security strike plates are anchored in the door frame and act as receptor for the latch and bolt of the mortise lock. The slanted screws on IKON strike plates provide a high degree of stability and security. The receiver bushes for the heavy-duty rawlplugs also act as drill hole guides.


ASSA ABLOY

ASSA ABLOY, the global leader
in door opening solutions

9M46 Bracket- security strike plate for rebated doors

With two anchors



Product description

- Suitable for rebated doors
- Overall strike plate length 250mm
- Dimension on bolt side = 25mm
- Dimension on strike plate side = 3mm
- Available in dimensions 250x25x25mm
- Standard galvanised finish (OF=VERZINKT)
- Other surfaces with limba (OF=LIMBA), white (OF=WEISS), brown (OF=BRAUN)
- With five fixing holes
- Material: galvanised steel

Compatible ASSA ABLOY products

- Steel security fitting with cylinder cover - round knob/handle S416
- Steel security fitting with cylinder cover - angled knob/handle S418
- Double cylinder .551
- Double cylinder .531
- Rim lock without security link .131
- Drive unit for multiple locking system with lateral bolt .258
- Drive unit for multiple locking system with lateral bolt and security link .262

Scope of delivery

- 1 security strike plate with fixing screws
- 2 masonry anchors with plastic plugs



9M46 Bracket- security strike plate for rebated doors

With two anchors

Article-No.	OF=
9M46 45252	VERZINKT
9M46 45251	LIMBA
9M46 45253	WEISS
9M46 45254	BRAUN

ASSA ABLOY
Sicherheitstechnik GmbH
Goerzallee 299
14167 Berlin
berlin@assaabloy.de
Tel. +4930 8106-0
Fax +4930 8106-26 00
www.assaabloy.de



ASSA ABLOY, the global leader
in door opening solutions