

ACS-2 plus System

Access control system



The ACS-2 plus is an access control central control unit for up to two doors. Conventional wiring can be used to connect two separate doors or a single door with an entry and exit reader.

All the firmware can be upgraded. No time-consuming replacement of EPROMs is necessary for upgrading the functions. New program routines or extensions can be loaded on the control units using "MultiAccess Lite" or "IQ MultiAccess" access control software. Firmware updates will be made available for download free of charge via the Internet.

In online mode, up to 16 ACS-2 units can be operated via an interface converter and up to 32 via a bus controller.

Access control rights are set up and managed using "MultiAccess Lite" V1 or later or "IQ MultiAccess" version V1.xx or later.

The central control unit supports the corresponding options of the relevant access control software in each case.

the ACS-2 plus holds all decision rights for door release and control (even in offline mode).

By using multiple bus controllers or an Ethernet network up to 999 doors can be managed per location with IQ MultiAccess. The maximum number of doors that can be managed with MultiAccess Lite is 32.

Addition of an Ethernet card (026840.29) allows the controllers to be integrated directly in existing Ethernet LANs.

The standard package for ACS-2 plus systems does not include an interface. The appropriate interface card should be selected according to the intended use.

Features

- **Intelligent access control unit for two doors**
- **Upgradable program memory**
- **Dynamic memory allocation**
- **Battery-backed memory (0.5 MB, expandable to 3.5 MB)**
- **Up to approx. 65,500 IDs***
- **512 area and time zones**
- **Event buffer for up to 65,000 events***
- **Holiday and vacation calendar**
- **Clock with automatic switching between standard and daylight savings time**

* Actual values depend on the memory expansion and the configuration of the dynamic memory allocation.

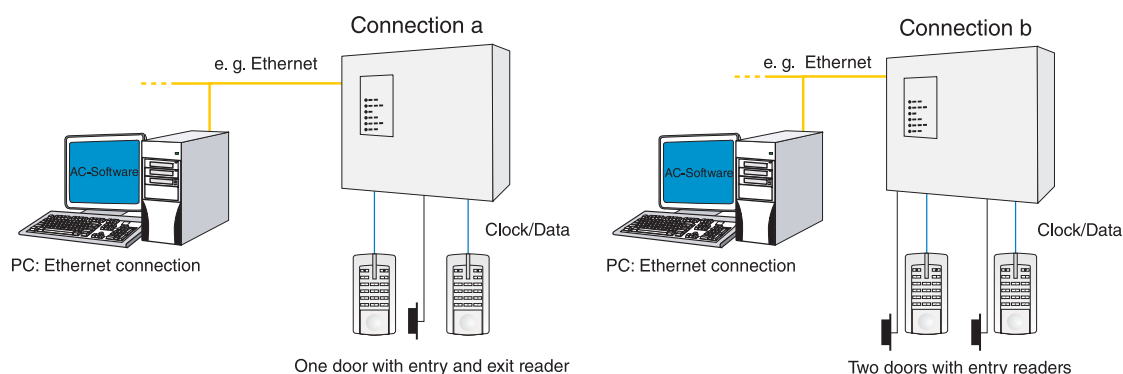
Technical specifications

Rated operating voltage	230 V AC (Item No. 026547.GB0), 12 V DC (Item No. 026548.GB0)
Operating voltage range	230 V AC -15% +10% (Item No. 026547.GB0), 10-15 V DC (Item No. 026548.GB0)
Operating temperature range	- 5°C to +55 °C
Storage temperature range	-25°C to +70 °C
Environmental class acc. to VdS	II
Connections	2 readers with clock/data interface, 2 keypads with two wire interface
Outputs	4 relay outputs (for example for a door opener, strobe lamp, etc.), 3 semiconductor outputs (for example threat, WatchDog, etc.)
Inputs	4 digital inputs (for example for a door opening sensor, monitoring contact, etc.), 8 different detector groups (such as: magnetic contact, glass breakage sensor, etc.) Integrated tamper detection
Color	gray-white (similar to RAL 9002)
Housing	Steel paneling
Dimensions (W x H x D)	250 x 210 x 100 mm

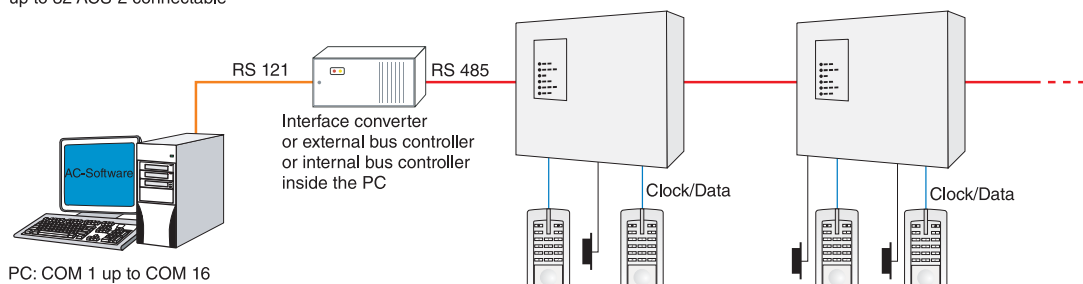
Further information see product group catalogue.

Application examples for the ACS-2 plus

Possible reader connections to ACS-2 plus



ACS-2 plus connection via RS 485
up to 32 ACS-2 connectable



Connection type a or b is possible for all ACS-2 controllers

Ordering information

Item No.	Description
026547.GB0	ACS-2 plus, 230 V AC, incl. power supply/charger
026548.GB0	ACS-2 plus, 12 V DC, same as 230 V DC version, except without power supply/charger
Accessories	
026840.03	RS-232 interface
026693	RS-485 interface
026840.29	Ethernet interface 10/100 MBits/sec.
026840.16	Current loop interface

Honeywell Security Deutschland

Novar GmbH
Joh.-Mauthe-Str. 14 · D-72458 Albstadt
Phone +49 (0) 74 31/801-0 · Fax 801-12 20
www.honeywell.com/security/de
info.security.de@honeywell.com

P31903-22-0G0-01
04. 2007 · Subject to change without notice.
©2007 Honeywell International Inc.

Honeywell