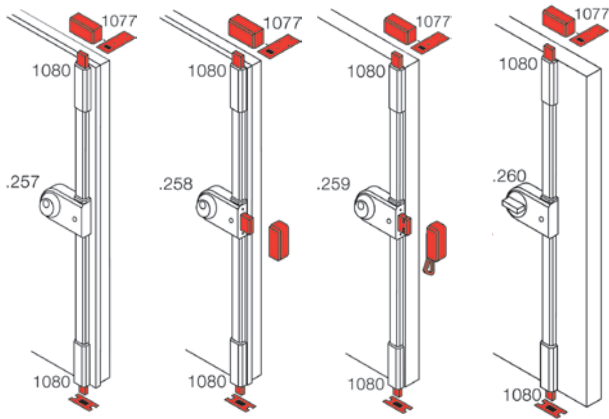


# Technical terms.

## Bolt brackets for multiple locking systems.

Possible uses of bolt brackets	Drive unit <b>without</b> lateral bolt <b>.257, .260</b>				Drive unit <b>with</b> lateral bolt <b>.258, .259, .261, .262</b>	
	Installed on leading edge		10mm clearance from leading edge		Installed on leading edge	
Doors without profile or door stop	rebated	non-reb.	rebated	non-reb.	rebated	non-reb.
<b>1080</b> Vertical surface mounted bolt	•	•	•	•	•	•
Doors with profile or door stop						
<b>1081</b> Vertical surface mounted bolt set for AUS=AT	•	•			•	•
<b>1083</b> Adjustable vertical surface mounted bolt set for AUS=AT	•	•			•	•

Possible combinations for doors **without** profile or door stop



Possible combinations for doors **with** profile or door stop

