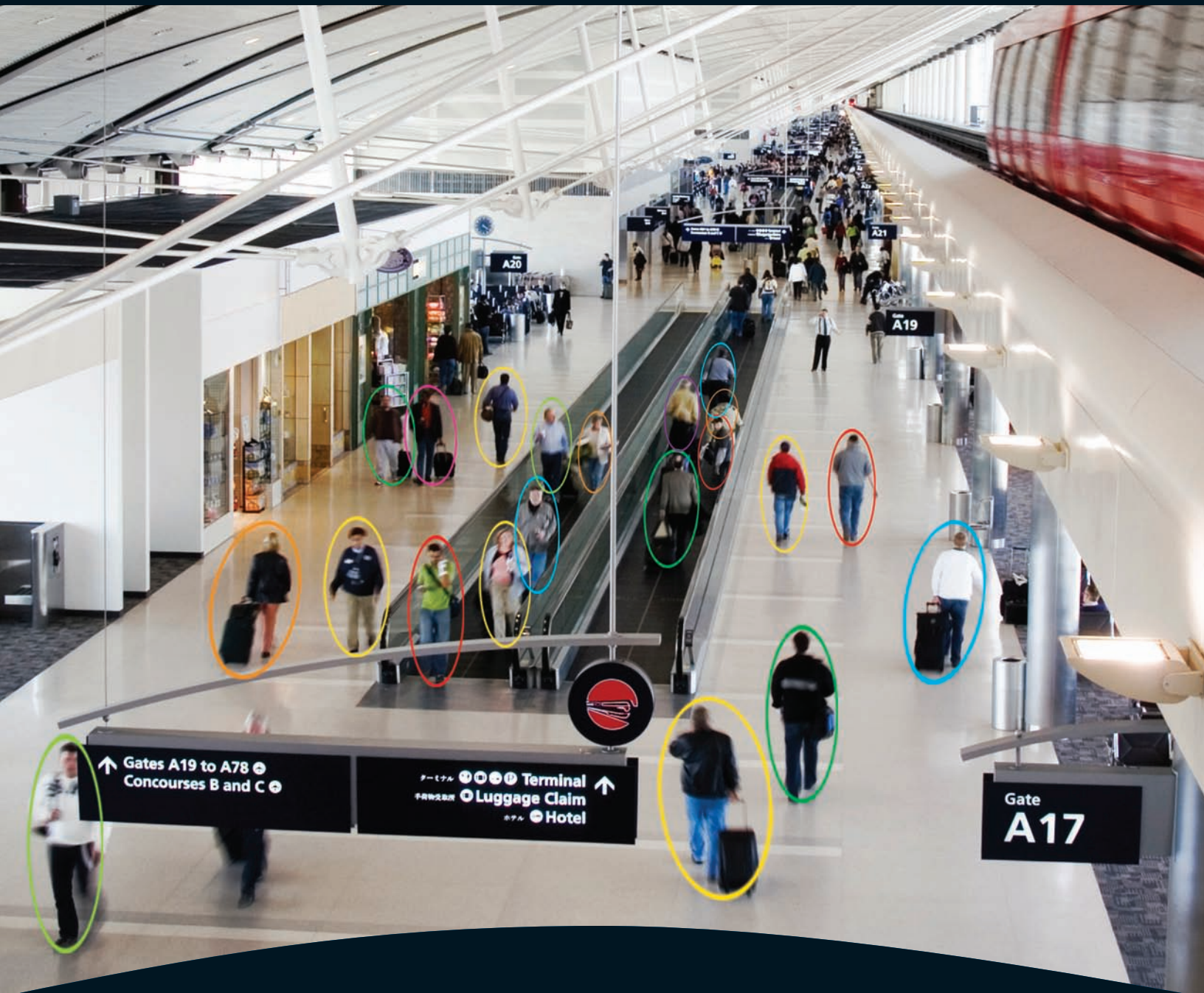


Intelligent Video Analytics



Smarter Video,
Tighter Security

Honeywell

Honeywell Active Alert[®] analyzes the behavior of individuals and vehicles to provide real-time alarms and search tools that enhance manned and unmanned video surveillance systems.

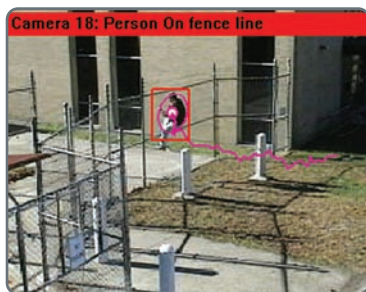
This unique, patented software automatically:

- Distinguishes between humans, vehicles and other objects.
- Tracks up to 20 targets in each camera view.
- Reports more than 35 actionable events and behaviors.
- Delivers real-time alarms: local voice/visual notification, relay closure for integration with alarm panels, e-mail, cell-phone text messages, and Remote Network Client.
- Offers data mining capabilities to enable end users to spot trends and modify operations to maximize security.

Key Features:

- Enables user-defined event and alarm settings for each camera view.
- Remote Client allows full distributed system access regardless of location.
- Powerful search tools offer an instantaneous method of searching and locating incident video captured by digital video recorders and network video recorders. By combining user-friendly smart indexing with interactive retrieval tools, Active Alert enables rapid search, review and filtering of selected video incidents.
- Flexible query system allows the user to specify a combination of alarm or event types, object types or cameras, within any target time range.

Sample Applications:



Perimeter Protection



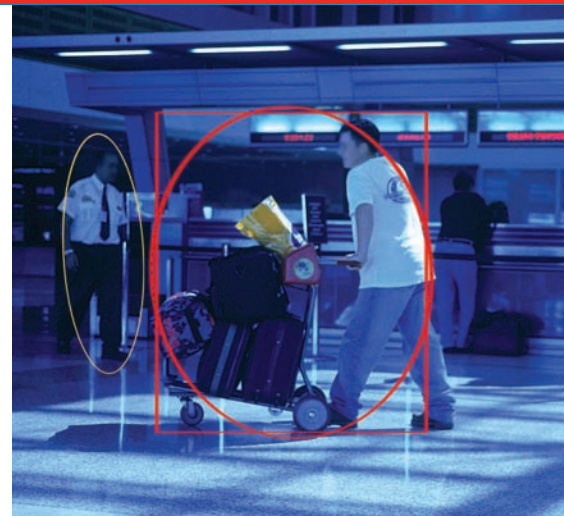
Restricted Area



Loitering



Abandoned Object



The Active Alert family includes:

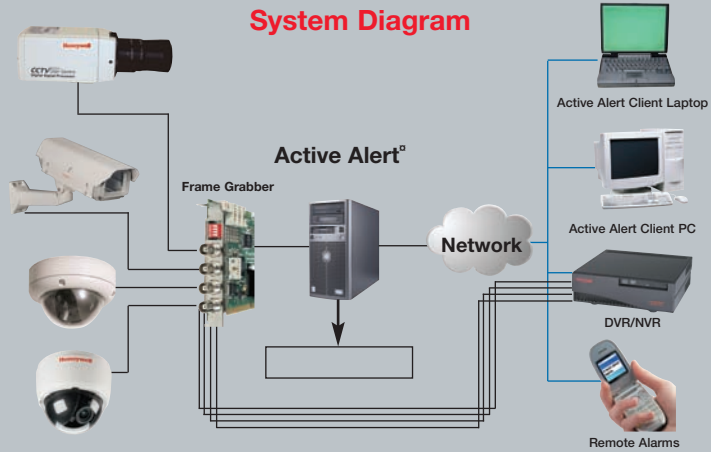
- **Active Alert[®] Base:** Identifies and classifies the most common user-defined events and behaviors, and provides basic perimeter intrusion detection.
- **Active Alert[®] Standard:** All the benefits of Active Alert Base, plus tracking of up to 20 objects in a scene and automatically alarming on more than 35 different events, incidents and behaviors.
- **Active Alert[®] Premium:** All the benefits of Active Alert Standard, plus additional analytics for high-risk facilities and locations such as abandoned object, removed object and possible theft functionality.
- **People Counter:** Powerful traffic flow measurement with real-time or periodic reporting.
- **Smart Impressions[®]:** Smart video solutions optimize operations by analyzing individual customer and vehicular activities and traffic patterns.

Our unique solution automatically detects, analyzes and classifies the behaviors of people and vehicles as they move through a scene. It significantly reduces false alarms by suppressing environmental triggers such as rain, snow, shadows, reflections, flying birds, and waving trees. It also provides instantaneous histories of scene activity against user-selected parameters to enable fast interactive searches on site and/or remotely.

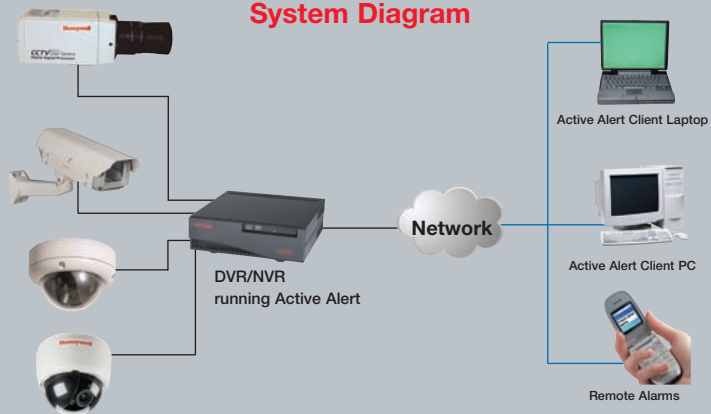
Honeywell client software provides powerful tools in the Active Alert product suite:

- **User Administration** sets different access levels for operators, security managers, and administrators.
- **Configuration Tool** provides complete tool sets to configure zones and events in each camera view.
- **Alarm Station** receives real-time alarms from multiple locations and provides instant alarm viewing.
- **Search and Retrieval** adds powerful forensics capability from any remote location.

Server Based System Diagram



DVR Based System Diagram



Key Benefits:

- Greatly increases event detection accuracy while virtually eliminating false alarms.
- Vastly improves video effectiveness while reducing total cost of ownership.
- Increases the number of cameras per operator, dramatically reducing human monitoring costs.
- Retrieves incidents rapidly in seconds or minutes via comprehensive built-in search tools.
- Organizes data for easy auditing and rapid event analysis by event type, time, event sequence, or assigned priority using a highly indexed database—regardless of whether you have 4 cameras or 400.
- Significantly expands video storage capacity.



For more information:

www.honeywellvideo.com

Honeywell Security

Honeywell Video Systems
2700 Blankenbaker Pkwy, Suite 150
Louisville, KY 40299
1-800-796-CCTV (2288)
www.honeywell.com

L/VDANLYTB/D
September 2007
© 2007 Honeywell International Inc.

Honeywell