



Round 2—It's a knock out!

Indoor mini-dome camera series is packed with power

Meet the next round of Honeywell's True Day/Night and color mini-dome cameras for indoor applications. The HD3 Series features a fully integrated enclosure with camera and lens. It's ready to go right out of the box. It's a unanimous decision—top quality performance and competitive pricing, combined with the Honeywell advantage, provide a superior camera solution that provides clear images in retail sites, hotels, department stores, lobbies, office buildings and more!

Honeywell's new range of indoor integrated dome cameras delivers increased flexibility in virtually any installation. The HD3C(X), HD3CH(X) and HD3D(X) are 1/3" CCD fixed dome cameras with Digital Signal Processing (DSP) technology featuring a 2.8-10 mm Vari-focal Auto Iris lens. A clear polycarbonate dome with dome insert conceals the camera components without compromising light sensitivity or hurting picture quality. And the unique "cable management" housing design allows an installer to easily tuck the power and video connectors out of sight within the base of the housing.

HD3 Features:

- Lots of moves – 3-D gimbal gives you 360° pan, 160° tilt and 360° horizontal adjustment. For additional flexibility, wall mount or pendant mount brackets are available (HD3-MK, HD3-MKB).
- Watch for the one-two punch – Offered in True Day/Night, super high resolution color and standard resolution color. When combined with our aspherical lens, edge distortion at any focal length setting is all but eliminated.
- Packed with power – 12VDC or 24VAC operation.
- Impressive backing – Protected by a three-year warranty.



CUSTOMER BENEFITS

- Knockout picture quality – Captures clear, crisp video and improves recorded video quality when used with a digital recorder.
- Keep your guard up – Tamper resistant housing protects the camera and cabling.
- Ultimate prize-fighter – Housing is available in Off-White or Black and designed for surface mount and recessed ceiling applications.

HD3 Series

Round 2—It's a knock out!

Indoor mini-dome camera series is packed with power

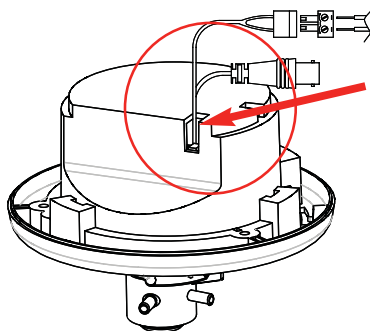
Enhanced features make installation a knockout:

Surface or Flush housing

Variety of installation possibilities can be achieved in a single camera.

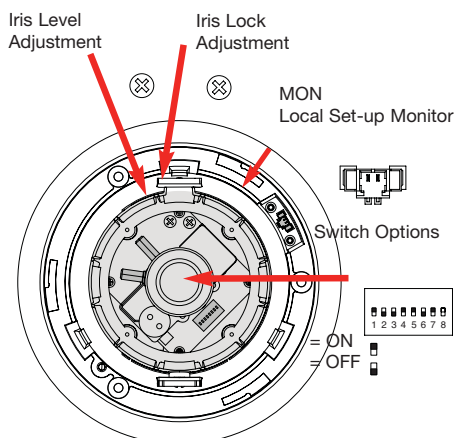
The HD3 Series has a removable housing base which allows for:

- Flush or surface installation
- Wall or ceiling mounting
- Available in Off-White or Black
- Optional Wall/Pendant mount available
- Provides even greater installation flexibility



Cable Management Housing

- A small notch in the base of the HD3 allows the video/power connection to be concealed
- Internal storage chamber for excess cable
- Takes the hassle out of positioning the cables during camera installation



Easy to Access Camera Controls

- Located on top of the camera board
- Adjust the controls easily, even after the camera is in position
- Makes installation easier and faster

Honeywell Security

Honeywell Video Systems
2700 Blankenbaker Pkwy, Suite 150
Louisville, KY 40299
1-800-796-CCTV
www.honeywellvideo.com

L/HD3SERF/D
February 2008
© 2008 Honeywell International Inc.

Honeywell