

HCX5DW2 Camera

www.honeywellvideo.com

5 MEGAPIXEL TRUE DAY/NIGHT NETWORK CAMERA

Honeywell's HCX series of megapixel cameras offers world-class video and leading-edge IP networking technologies. When object recognition is needed over a vast field of view, one megapixel camera can often do the same job as several standard analog cameras. Megapixel technology increases the effectiveness of your security system by providing greater detailed images while saving on installation and equipment costs.

The HCX5DW2 is a megapixel true day/night network camera with a movable IR cut filter that offers up to 5 MP (2560 X 1920) with frame rates up to 30 frames per second. It adapts to varying lighting conditions to ensure the highest picture quality even in low-light conditions down to 0.05 lux. User selectable exposure windows optimize video performance in the areas of interest. More detailed viewing can be performed using the digital PTZ control.

The HCX5DW2 network camera includes advanced bandwidth management tools to optimize performance over any network. A built-in Web server provides password protected access to video and network setup. Setup is quick and easy and can be customized through a Web client or from an NVR multi-zone motion detection to trigger motion-based video streaming and privacy zones for blocking portions of the scene that are not to be recorded. An analog output facilitates setup of zoom and focus of the lens using spot monitors and allows easy integration with public view monitors. Choose between 12 VDC/24 VAC power input or PoE 802.3 af for additional installation flexibility.

Market Opportunities

The HCX5DW2 provides optimum performance for both indoor and outdoor applications requiring higher resolution over a larger field of view than is available from a high resolution analog camera. Retail and banking industries greatly benefit from using megapixel cameras. When properly positioned, both the full transaction as well as a person's identifying features can be zoomed in to analyze transactions or identify fraud. Other applications include multi-lane driveways, wide lobbies, gated entrances and loading docks.

Features

- 1/2" progressive scan imager
- Up to 2560 X 1920 pixel resolution
- Excellent true day night low light performance, down to 0.3 lux color/0.05 lux BW.
- Up to 30 fps at 1.3 MP¹
20 fps at 2.0 MP
12 fps at 3.1 MP
8 fps at 5.0 MP
- Includes 4.5 mm to 13 mm F1.8, IR corrected Vari-Focal Fixed Iris lens
- Full time analog video output
- MJPEG compression
- Alarm I/O
- Multi-zone motion detection
- E-mail notification of alarms or motion events
- Digital image cropping
- User selectable exposure window
- Password protection prevents unauthorized users from altering system settings
- Web server for remote setup of camera video and network parameters
- 12 VDC/24 VAC or PoE 802.3 af choice of power inputs



¹ with image cropping

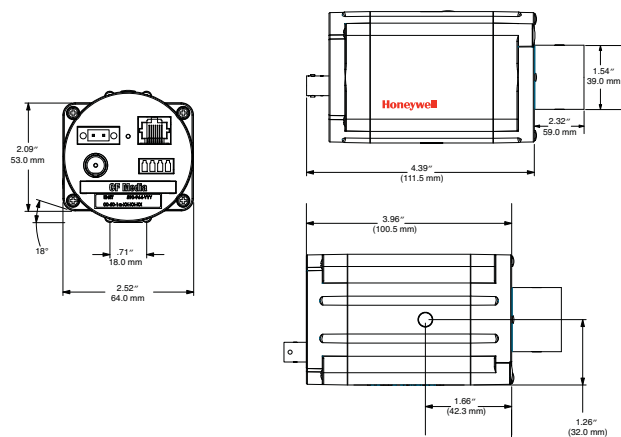
HCX5DW2 Camera

www.honeywellvideo.com

SPECIFICATIONS

Operational	
Image Sensor	1/2" CMOS imager, progressive scan
Minimum Illumination	0.3 lux color/0.05 lux BW
S/N Ratio	50 dB or more (AGC off)
Auto Gain Control	Peak detect, dark detect, clip average, average
Automatic Electronic Shutter	1/5–1/10,000 sec
Gamma	0.45
White Balance	Automatic
Digital Slow Shutter	1X – 4X
Analog Video Output	NTSC/PAL (full time analog output) 1.0 Vp-p @ 75 Ohms
Motion Detection	Multi-zone Include/Exclude
Exposure Window	Include, variable size
Privacy Zones	Multiple exclude zones
Electrical	
Input Voltage	12 VDC/24 VAC, PoE 802.3 af
Input Range	12-24 VDC, 22-26 VAC
Surge Suppression	1.5 kW transient
Power Consumption	2.5 W (max)
Mechanical	
Dimensions	See Diagram
Weight	0.8 lb (0.36 kg) camera only
Construction	Housing: Aluminum Finish: Gray Painted
Connector	Video Output: BNC connector Power Input: Removable screw terminal block Alarm I/O: Removable screw terminal block Network: RJ45 connector
Environmental	
Temperature	Operating: 32°F to 104°F (0°C to 40°C) Storage: -4°F to 140°F (-20°C to 60°C)
Relative Humidity	0% to 85%, non-condensing
Regulatory	
Emissions	FCC, CE (EN55022)
Immunity	CE (EN55024)
Safety	LVD 2006/95/EC

IP Specifications	
Resolutions	2560 x 1920, 2048 x 1536, 1600 x 1200, 1280 x 1024, 1280 x 720, 1024 x 768, 4CIF
Frame Rate ¹	Up to 8 fps @ 5.0 MP 12 fps @ 3.1 MP 20 fps @ 2.0 MP 30 fps @ 1.3 MP
Video Streaming	MJPEG controllable frame rate and bandwidth. Constant and variable bit rate
Security	Multiple user access levels with password protection
Users	3 simultaneous unicast
Video Access From Web Browser	Camera live view for up to 3 clients. Full control of all camera settings available to administrator.
Minimum Web Browsing Requirements	Pentium IV CPU 3.0 GHz or equivalent AMD, 512 MB RAM, AGP graphics card (32 MB RAM) Windows XP, 2000, Internet Explorer 6.x or later
Supported Protocols	IPv4, HTTP, TCP, UDP, FTP, SMTP, ICMP DHCP, ARP, DNS
Environmental	
Housings and Mounts	
HBC5WT	Wall/ceiling mount bracket
HHC12 Series	Environmental housing
System Compatibility	
The Megapixel Series is supported by a comprehensive line of video management systems and accessories. Visit the Megapixel Series product pages on www.honeywellvideo.com for up-to-date information on system compatibility.	



Ordering	
HCX5DW2	1/2" CMOS 5 Megapixel Color Network Camera, 12 VDC/24 VAC or PoE 802.3 af, 4.5 mm to 13 mm Vari-Focal Fixed Iris F1.8, IR corrected lens included

NOTE: Honeywell reserves the right, without notification, to make changes in product design or specifications.

Honeywell Security Group

Honeywell
2700 Blankenbaker Pkwy, Suite 150
Louisville, KY 40299
1.800.796.CCTV (2288)
www.honeywell.com

L/HCX5DW2D/D
October 2009
© 2009 Honeywell International Inc.