

ACUIX™ IP PTZ Dome

EQUIP™ SERIES DIGITAL HIGH SPEED NETWORK DOME SYSTEM

Honeywell's EQUIP™ Series is an array of IP-based products that have an open architecture platform and utilize a single Application Program Interface (API). The API allows for a common user experience and integration with hybrid Digital Video Recorders (DVRs) and Network Video Recorders (NVRs).

Honeywell's ACUIX™ IP PTZ dome offers the latest in digital video surveillance. ACUIX IP is the combination of world-class video and leading-edge IP networking technologies to provide streaming MPEG-4 images in 4CIF, 2CIF, and CIF resolutions with rates up to 30 frames per second (25 fps for PAL systems).

The ACUIX IP PTZ dome offers multiple housings and high-resolution, auto-focus cameras for virtually any application. The color camera is available with an 18X zoom lens with 470 TVL (460 TVL PAL) of resolution. The Wide Dynamic Range (WDR) and True Day/Night (TDN) models feature 18X, 26X and 35X zoom lenses with up to 540 TVL (530 TVL PAL) of resolution. The 35X model also includes electronic stabilization for improved image quality in unstable mounting situations.

ACUIX IP uses Honeywell technology for camera sabotage detection, field upgradable firmware and backup of all camera settings. Camera sabotage detection notifies the user when a camera has been blinded or vandalized, ensuring the integrity of the video and alerting the user to a live event or system problem disrupting the video stream. Honeywell's technology also allows users to remotely upload firmware to all domes and permits secure storage of all camera settings such as labels, presets, tours and privacy zones.

Market Opportunities

The combination of the latest in digital technology, advanced video processing and aesthetically pleasing design makes the ACUIX IP ideally suited for large retailers, airports, government installations, schools and campuses, industrial environments, and anywhere detailed surveillance is essential.

Features

- MPEG-4 compression
- 4CIF, 2CIF, and CIF resolutions
- Up to 30/25 frames per second
- Camera Sabotage Detection
- Field upgradable firmware
- Backup of all camera settings
- 4 dry contact inputs
- Up to 150 user-defined presets
- 16 preset tours of 64 presets each
- 32 Dynamic Privacy Zones
- Password protection prevents unauthorized users from altering system settings
- Built-in surge and lightning protection
- Menus are provided for English, French, German, Dutch, Italian, Polish, and Spanish



In-ceiling



Indoor Pendant



Outdoor Pendant



Rugged

ACUIX™ IP PTZ Dome

www.honeywellvideo.com

SPECIFICATIONS

IP Specifications													
Video Compression	MPEG-4 Part 2 (ISO/IEC 14496-2) , SP level 0-3												
Resolutions	<table border="1"> <thead> <tr> <th></th> <th>NTSC</th> <th>PAL</th> </tr> </thead> <tbody> <tr> <td>4CIF</td> <td>704x480</td> <td>704x576</td> </tr> <tr> <td>2CIF</td> <td>704x240</td> <td>704x288</td> </tr> <tr> <td>CIF</td> <td>352x240</td> <td>352x244</td> </tr> </tbody> </table>		NTSC	PAL	4CIF	704x480	704x576	2CIF	704x240	704x288	CIF	352x240	352x244
		NTSC	PAL										
	4CIF	704x480	704x576										
	2CIF	704x240	704x288										
CIF	352x240	352x244											
Frame Rate NTSC/PAL	Up to 30/25 fps video in all resolutions												
Video Streaming	Controllable frame rate and bandwidth. Constant and variable bit rate (MPEG-4).												
Security	Multiple user access levels with password protection												
Users	5 simultaneous unicast												
Video Access from Web Browser	Camera live view for up to 5 clients. Full control of all camera settings available to administrator.												
Minimum Web Browsing Requirements	Pentium IV CPU 2.4 GHz or equivalent AMD, 512 MB RAM, AGP graphics card 32 MB RAM Windows XP®, Internet Explorer 6.0 or later												
Installation and Management Maintenance	Honeywell IP Utility application used for device discovery and network configuration												
Supported Protocols	IPv4, HTTP, TCP, RTSP, RTP, UDP, IGMP, RTCP, ICMP DHCP, Bonjour, DNS												

CAMERA	HDXA	HDXJ	HDXF	HDXG
Image Sensor	1/4" Ex-view HAD CCD	1/4" Ex-view HAD CCD	1/4" Ex-view HAD CCD	1/4" Ex-view HAD CCD
Lens	18X optical zoom, f=4.1mm (wide) to 73.8mm (tele), F1.4 to F3.0	18X optical zoom, f=4.1 mm (wide) to 73.8 mm (tele), F1.4 to F3.0	26X optical zoom, f=3.5 mm (wide) to 91.0 mm (tele), F1.6 to F3.8	35X optical zoom, f=3.4 (wide) to 119mm (tele), F1.4 to F4.2
Horizontal Resolution	>470 TVL (NTSC) >460 TVL (PAL)	>530 TVL (NTSC) >520 TVL (PAL)	>530 TVL (NTSC) >520 TVL (PAL)	>540 TVL (NTSC) >530 TVL (PAL)
Moveable IR filter	No	Yes	Yes	Yes
Wide Dynamic Range	No	Yes, 128X	Yes, 128X	Yes, 128X
Digital Zoom	12X (216X total zoom)	12X (216X total zoom)	12X (312X total zoom)	12X (420X total zoom)
Angle of View (H)	48° (wide end) to 2.8° (tele end)	48° (wide end) to 2.8° (tele end)	54.2° (wide end) to 2.2° (tele end)	55.8° (wide end) to 1.7° (tele end)
Sync System	Internal/AC line lock	Internal/AC line lock	Internal/AC line lock	Internal/AC line lock
Minimum Illumination	See Minimum Illumination Table on next page			
S/N Ratio	> 50 dB	> 50 dB	> 50 dB	> 50 dB
Electronic Shutter	1/1 to 1/10,000 sec	1/1 to 1/10,000 sec	1/1 to 1/10,000 sec	1/2 to 1/30,000 sec
White Balance	Auto, ATW, Indoor, Outdoor, Manual	Auto, ATW, Indoor, Outdoor, Manual	Auto, ATW, Indoor, Outdoor, Manual	Auto, Indoor, Outdoor, Manual
Gain	Auto/Manual	Auto/Manual	Auto/Manual	Auto/Manual
Backlight Compensation	On/Off/Auto	On/Off/Auto	On/Off/Auto	On/Off/Auto
Focusing System	Auto/Manual	Auto/Manual	Auto/Manual	Auto/Manual
Electronic Image Stabilization (EIS)	No	No	No	Yes, up to 12 dB suppression

ACUIX™ IP PTZ Dome

www.honeywellvideo.com

SPECIFICATIONS

Minimum Illumination					
Image and Shutter Speed	Video Signal Level	HDXA 18X Color	HDXJ 18X WDR & TDN	HDXF 26X WDR & TDN	HDXG 35X WDR & TDN
Color Image Shutter speed = 1/60 sec	50 IRE	0.7 lux	0.7 lux	1.00 lux	0.5 lux
	30 IRE	0.35 lux	0.35 lux	0.5 lux	0.25 lux
Color Image Shutter speed = 1/4 sec	50 IRE	0.1 lux	0.07 lux	0.09 lux	0.05 lux
	30 IRE	0.05 lux	0.035 lux	0.05 lux	0.03 lux
Color Image Shutter speed = 1/2 sec	50 IRE	0.05 lux	0.035 lux	0.045 lux	0.025 lux
	30 IRE	0.025 lux	0.018 lux	0.023 lux	0.015 lux
Black&White image Shutter speed = 1/60 sec	50 IRE	n/a	0.15 lux	0.15 lux	0.15 lux
	30 IRE	n/a	0.08 lux	0.08 lux	0.075 lux
Black&White image Shutter speed = 1/4 sec	50 IRE	n/a	0.01 lux	0.01 lux	0.01 lux
	30 IRE	n/a	0.005 lux	0.005 lux	0.005 lux
Black&White image Shutter speed = 1/2 sec	50 IRE	n/a	0.005 lux	0.005 lux	0.005 lux
	30 IRE	n/a	0.0025 lux	0.0025 lux	0.0025 lux

Operational	
Angular Travel	Horizontal: 360° continuous Tilt: 5° above horizontal to 90° down
Speed (Manual Mode)	Pan: variable from 0.10° to 480°/sec. Tilt: variable from 0.10° to 240°/sec.
Speed to Preset	<0.5 sec.
Preset Accuracy	± 0.09°
Presets Per Dome	150
Preset Tours	16 tours with up to 64 presets per tour
Still Shot™ Feature	Freeze-frame of video between presets during tour
Mimic Tours	16 2-minute mimic tours
Sector Identification	16 independent sectors or zones
Dynamic Privacy Zones	32 Dynamic Privacy Zones
Installation in Housing	Simple electrical quick disconnect and mechanical slide mount
Default Function	Activates preset tours and mimic tours after programmable period of inactivity
Flashback	Recalls the last preset position observed whether in manual, preset tour or mimic tour Presets can be toggled between last two
Digital Zoom Label	Provides on-screen identification of digital zoom setting (i.e., 2X, 4X, 12X) User selectable
24 VAC Line-Lock	Unit is 24 VAC line locked with 0-359° phase adjust

In-ceiling and Indoor Pendant	
Environmental	
Temperature	Operating: 14°F to 131°F (-10°C to 55°C) Storage: -40°F to 140°F (-40°C to 60°C)
Relative Humidity	0 to 95%, non-condensing
Regulatory	
Emissions	FCC: Part 15, Class B CE: EN55022, Class B
Immunity	EN 50130-4
Safety	UL 60065 IEC/EN60065

Outdoor Pendant and Rugged	
Environmental	
Temperature	Operating: -40°F to 131°F (-40°C to 55°C) Storage: -40°F to 140°F (-40°C to 60°C)
Relative Humidity	0 to 95%, non-condensing
Protection Classification	IP66 NEMA4X
Regulatory	
Emissions	FCC: Part 15, Class B CE: EN55022, Class B
Immunity	EN50130-4
Safety	UL 60065 IEC/EN60065

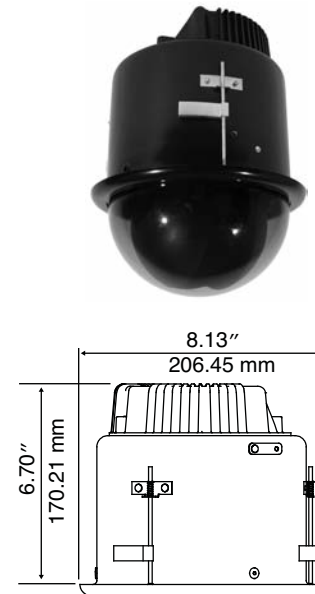
ACUIX™ IP PTZ Dome

www.honeywellvideo.com

SPECIFICATIONS

In-ceiling

Electrical	
Input Voltage	24 VAC @ 50/60 Hz, Class 2 LPS
Input Tolerance	21 to 27 VAC
Power Consumption	41 W Peak
	29 W Idle
Mechanical	
Dimensions	6.7" H x 8.13" Dia (170.21 mm H x 206.45 mm Dia)
Weight	6.0 lbs (2.72 kg)
Construction	Housing: Aluminum Lower Dome: Optical Grade Acrylic
Mounting Method	7-5/8" (193.8 mm) diameter mounting hole with 3 wing tabs



Indoor Pendant

Electrical	
Input Voltage	24 VAC @ 50/60 Hz, Class 2 LPS
Input Tolerance	21 to 27 VAC
Power Consumption	41 W Peak
	29 W Idle
Mechanical	
Dimensions	Housing: 7.7" H x 9.3" Dia (194.6 mm H x 237.2 mm Dia) Lower Dome: 7.5" Dia (191 mm Dia)
Weight	6.0 lbs (2.72 kg)
Construction	Housing: Aluminum Lower Dome: Optical Grade Acrylic Finish: Available in warm gray or black matte
Mounting Method	1.5" NPT



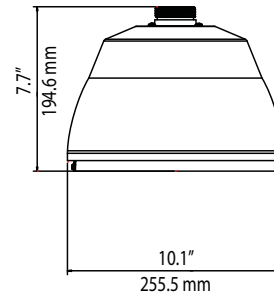
ACUIX™ IP PTZ Dome

www.honeywellvideo.com

SPECIFICATIONS

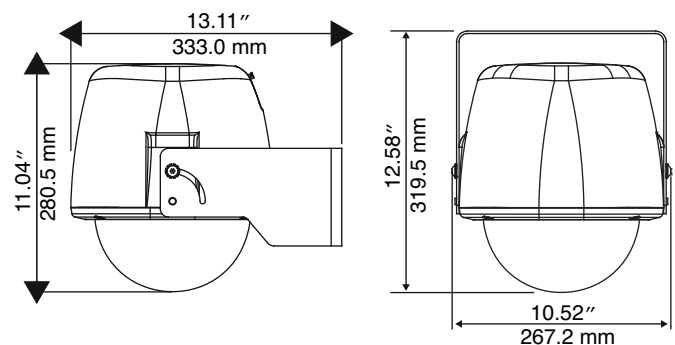
Outdoor Pendant

Electrical	
Input Voltage	24 VAC @ 50/60 Hz, Class 2 LPS
Input Tolerance	21 to 27 VAC
Power Consumption	55 W Peak
	41 W Idle
Mechanical	
Dimensions	Housing: 7.7" H x 10.1" Dia (194.6 mm H x 255.5 mm Dia) Lower Dome: 7.5" Dia (191 mm Dia)
Weight	6.7 lbs (3.04 kg)
Construction	Housing: Aluminum Lower Dome: Optical Grade Acrylic Finish: Warm gray
Mounting Method	1.5" NPT



Rugged

Electrical	
Input Voltage	24 VAC @ 50/60 Hz, Class 2 LPS
Input Tolerance	21 to 27 VAC
Power Consumption	55 W Peak
	41 W Idle
Mechanical	
Dimensions	Housing: see line drawing Lower Dome: 7.5" Dia (191 mm Dia)
Weight	14.75 lbs (6.69 kg)
Construction	Housing: Die-cast aluminum Lower Dome: Optical Grade Acrylic
Mounting Method	Integral bracket providing 90° tilt



ACUIX™ IP PTZ Dome

www.honeywellvideo.com

ACCESSORIES AND ORDERING

Accessories:	
Mounts	
HDWWM1	Indoor Wall Mount
HDXWM2	ACUIX Indoor and Outdoor Wall Mount
HDPRM2	Parapet and Flat Roof Mount
HDCM1	Ceiling mount for Indoor Pendant
HDXPMA1	ACUIX Pole Mount Adapter for HDXWM1 and Rugged housing
HDXCMA1	ACUIX Corner Mount Adapter for HDXWM1 and Rugged housing
Power Supplies	
HPTV2401WPZ	24 VAC, 8 A with surge protection for power, video and data, NEMA 4X enclosure

System Compatibility	
Hybrid DVRs	
Fusion	Full Featured Hybrid Digital Video Recorder, version 3.6 or higher
NVRs	
Enterprise NVR Series	Enterprise Class Digital Network Video Recorder System, version 5.70 or higher
DVM	Digital Video Manager, version R200.2 or higher

NOTE: Honeywell reserves the right, without notification, to make changes in product design or specifications.

Ordering

HOW TO ORDER

Example:
**HDXGNWDCW =
 35X WDR & TDN
 w/EIS/NTSC/Outdoor
 Pendant/Digital/
 Clear/White**

HDX G N P D S W

Series: HDX

Camera: G = 35X WDR & TDN w/EIS

Format: N = NTSC, P = PAL

Housing: D = In-ceiling

Interface: S = TCP/IP Communication

Dome: W = White, B = Black, S = Smoke, C = Clear

Trim Ring: W = White, B = Black

Honeywell Security Group
 Honeywell
 2700 Blankenbaker Pkwy, Suite 150
 Louisville, KY 40299
 1.800.796.CCTV (2288)
 www.honeywell.com

L/ACUIXIPD/D
 November 2009
 © 2009 Honeywell International Inc.