

SM02,AUS=W/ES Security fitting, aluminium PI 2000 - mushroom knob/U- shaped handle

Door fittings

Security fittings with cylinder cover



Modular cylinder cover



IKON provides a broad selection of security fittings and escutcheons, with or without cylinder covers. The wide range of IKON fittings is suitable for house and apartment doors, interior and exterior doors and doors made of all conventional materials. It encompasses a variety of handle fittings, a broad range of anodised finishes and colours and a quality spectrum ranging from solid aluminium fittings to premium security steel fittings. Solid steel with drilling protection and internal screw fittings with high tensile resistance form a practically impervious shield for locking cylinders.

Area of Application

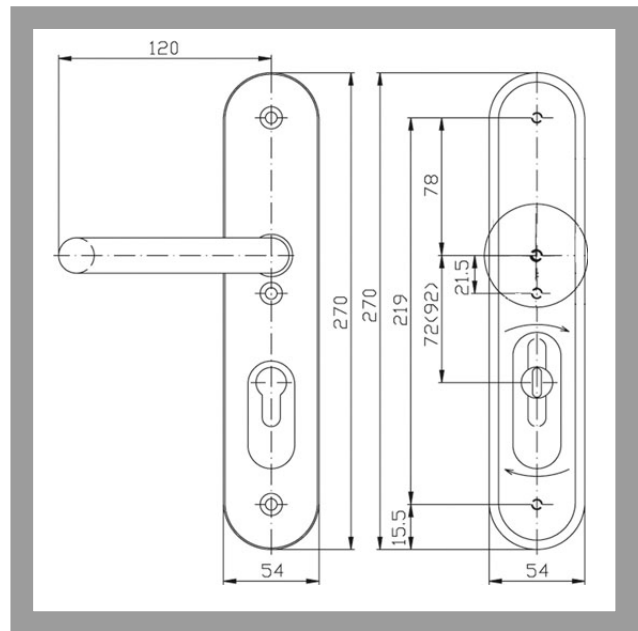
IKON security fittings with profile locking cylinder cut-out and a cylinder cover ensure that mortise locks and locking cylinders are securely mounted on house and apartment entrance doors. They effectively resist intrusion attempts involving drilling, break-in and extraction of the cylinder.

IKON
ASSA ABLOY

ASSA ABLOY, the global leader
in door opening solutions

SM02,AUS=W/ES Security fitting, aluminium PI 2000 - mushroom knob/U- shaped handle

Modular cylinder cover



Product description

- The patented reversible insert is hardened to provide drilling protection for the cylinder cover (only variant ES1 and ES2 - ES0 is not hardened) and enables simple adjustment of the distance from 72mm to 92mm and vice versa
- A locking cylinder completely imbedded in the fitting protects against intrusion attempts
- For cylinder projection from 8 to 18mm
- External backplate thickness 18mm - Internal backplate thickness 7mm
- Distance 72mm with 8mm spindle for apartment entrance doors (ABM=72/8) or distance 92mm with 10mm spindle (through sleeve) for main entrance doors (ABM=92/10)
- Triple screwed joint
- Standard finish nickel silver (FB=F2)
- Alternative colours: silver (FB=F1) gold (FB=F3), Meta Colour 1003 coated (FB=MC), white RAL 9016 coated (FB=WS)
- Available for standard door thicknesses 38-50mm (TS=38-50), prepared for profile cylinder
- Aluminium ES0 version is DIN approved (AUS=W/ES0)
- Aluminium ES1 version is VdS, DIN and RAL approved (AUS=W/ES1)
- Aluminium ES2 version is DIN and RAL approved (AUS=W/ES2)
- Material: aluminium

Accessories/Individual parts

- A-half spindle with M6-thread ZH 8 A 1M54
- Socket screw ZH 50 1M67

Compatible ASSA ABLOY products

- Double cylinder .551
- Double cylinder .531

Scope of delivery

- 1 Set with fixing material



SM02,AUS=W/ES Security fitting, aluminium PI 2000 - mushroom knob/U- shaped handle

Modular cylinder cover

Article-No.	FB=	TS=	AUS=	ABM=
SM02 46393	F2	38-50	W/ES0	72/8 + 92/10
SM02 46367	F2	38-50	W/ES1	72/8 + 92/10
SM02 46380	F2	38-50	W/ES2	72/8 + 92/10
SM02 46392	F1	38-50	W/ES0	72/8 + 92/10
SM02 46366	F1	38-50	W/ES1	72/8 + 92/10
SM02 46379	F1	38-50	W/ES2	72/8 + 92/10
SM02 46394	F3	38-50	W/ES0	72/8 + 92/10
SM02 46368	F3	38-50	W/ES1	72/8 + 92/10
SM02 46381	F3	38-50	W/ES2	72/8 + 92/10
SM02 46395	MC	38-50	W/ES0	72/8 + 92/10
SM02 46369	MC	38-50	W/ES1	72/8 + 92/10
SM02 46382	MC	38-50	W/ES2	72/8 + 92/10
SM02 46396	WS	38-50	W/ES0	72/8 + 92/10
SM02 46370	WS	38-50	W/ES1	72/8 + 92/10
SM02 46383	WS	38-50	W/ES2	72/8 + 92/10



ASSA ABLOY
 Sicherheitstechnik GmbH
 Goerzallee 299
 14167 Berlin
 berlin@assaabloy.de
 Tel. +4930 8106-0
 Fax +4930 8106-26 00
 www.assaabloy.de

ASSA ABLOY, the global leader
 in door opening solutions