

# SM05,AUS=B/ES0 Security fitting, aluminium PI Junior - handle/handle

Door fittings

Security fittings with cylinder cover

Sandwich design cap fitting - modular cylinder cover



IKON provides a broad selection of security fittings and escutcheons, with or without cylinder covers. The wide range of IKON fittings is suitable for house and apartment doors, interior and exterior doors and doors made of all conventional materials. It encompasses a variety of handle fittings, a broad range of anodised finishes and colours and a quality spectrum ranging from solid aluminium fittings to premium security steel fittings. Solid steel with drilling protection and internal screw fittings with high tensile resistance form a practically impervious shield for locking cylinders.

## Area of Application

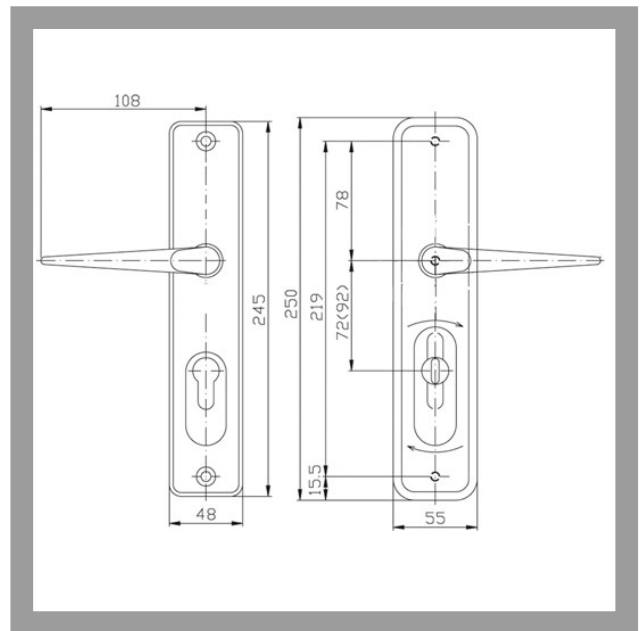
IKON security fittings with profile locking cylinder cut-out and a cylinder cover ensure that mortise locks and locking cylinders are securely mounted on house and apartment entrance doors. They effectively resist intrusion attempts involving drilling, break-in and extraction of the cylinder.

  
ASSA ABLOY

ASSA ABLOY, the global leader  
in door opening solutions

# SM05,AUS=B/ES0 Security fitting, aluminium PI Junior - handle/handle

Sandwich design cap fitting - modular cylinder cover



## Product description

- The patented reversible insert with cylinder cover enables simple adjustment of the distance from 72mm to 92mm and vice versa
- A locking cylinder completely imbedded in the fitting protects against intrusion attempts
- For cylinder projection from 8 to 18mm
- External backplate thickness 15mm - Internal backplate thickness 7mm
- Square-edged design
- Distance 72mm with 8mm spindle for apartment entrance doors (ABM=72/8) or distance 92mm with 10mm spindle (through sleeve) for main entrance doors (ABM=92/10)
- Double screwed joint
- Standard finish nickel silver (FB=F2)
- Other colours: silver (FB=F1) gold (FB=F3)
- Available for standard door thicknesses 38-50mm (TS=38-50), prepared for profile cylinder
- Material: aluminium

## Accessories/Individual parts

- A-half spindle with M6-thread ZH 8 A 1M54
- Socket screw ZH 50 1M67

## Compatible ASSA ABLOY products

- Double cylinder .551
- Double cylinder .531

## Scope of delivery

- 1 Set with fixing material



# SM05,AUS=B/ES0 Security fitting, aluminium PI Junior - handle/handle

Sandwich design cap fitting - modular cylinder cover

Article-No.	FB=	TS=	ABM=
SM05 45526	F2	38-50	72/8 + 92/10
SM05 45525	F1	38-50	72/8 + 92/10
SM05 45527	F3	38-50	72/8 + 92/10



ASSA ABLOY  
Sicherheitstechnik GmbH  
Goerzallee 299  
14167 Berlin  
berlin@assaabloy.de  
Tel. +4930 8106-0  
Fax +4930 8106-26 00  
www.assaabloy.de

ASSA ABLOY, the global leader  
in door opening solutions