

SM07,AUS=W/ES1 Security fitting 750 - mushroom knob/handle

Door fittings

Security fittings without cylinder cover



Sandwich design cap fitting



IKON provides a broad selection of security fittings and escutcheons, with or without cylinder covers. The wide range of IKON fittings is suitable for house and apartment doors, interior and exterior doors and doors made of all conventional materials. It encompasses a variety of handle fittings, a broad range of anodised finishes and colours and a quality spectrum ranging from solid aluminium fittings to premium security steel fittings. Solid steel with drilling protection and internal screw fittings with high tensile resistance form a practically impervious shield for locking cylinders.

Area of Application

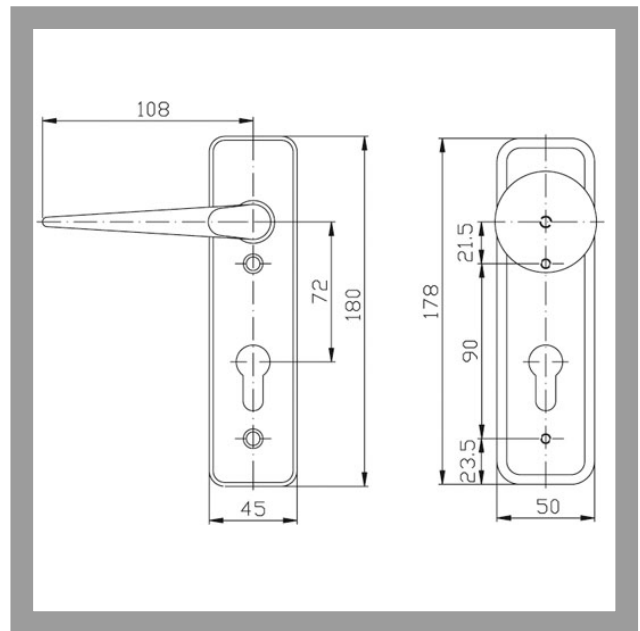
IKON security fittings with profile locking cylinder cut-out and without a cylinder cover ensure that mortise locks and locking cylinders are securely mounted on house and apartment entrance doors. They effectively resist intrusion attempts involving break-in or extraction of the cylinder. A locking cylinder with drilling protection should be utilised when employing security fittings without a cylinder cover.

IKON
ASSA ABLOY

ASSA ABLOY, the global leader
in door opening solutions

SM07,AUS=W/ES1 Security fitting 750 - mushroom knob/handle

Sandwich design cap fitting



Product description

- With hardened steel insert coated in plastic for effective drilling protection
- External backplate thickness 10mm (ZUE=10) or 15mm (ZUE=15), internal backplate thickness 7mm
- Distance 72mm with 8mm spindle for apartment entrance doors (ABM=72/8)
- Double screwed joint
- Standard finish nickel silver (FB=F2)
- Alternative colours: silver (FB=F1) gold (FB=F3), Meta Colour 1003 coated (FB=MC), white RAL 9016 coated (FB=WS)
- Available for standard room door thicknesses 38-45mm (TS=38-45), prepared for profile cylinder
- Material: Aluminium cap external backplate
Internal backplate aluminium

Accessories/Individual parts

- A-half spindle with M6-thread ZH 8 A 1M54
- Socket screw ZH 50 1M67

Compatible ASSA ABLOY products

- Double cylinder .551
- Double cylinder .531

Scope of delivery

- 1 Set with fixing material

ZIKON
ASSA ABLOY

SM07,AUS=W/ES1 Security fitting 750 - mushroom knob/handle

Sandwich design cap fitting

Article-No.	FB=	TS=	ABM=	ZUE=
SM07 45542	F2	38-45	72/8	10
SM07 45552	F2	38-45	72/8	15
SM07 45541	F1	38-45	72/8	10
SM07 45551	F1	38-45	72/8	15
SM07 45543	F3	38-45	72/8	10
SM07 45553	F3	38-45	72/8	15
SM07 45544	MC	38-45	72/8	10
SM07 45554	MC	38-45	72/8	15
SM07 45545	WS	38-45	72/8	10
SM07 45555	WS	38-45	72/8	15



ASSA ABLOY
Sicherheitstechnik GmbH
Goerzallee 299
14167 Berlin
berlin@assaabloy.de
Tel. +4930 8106-0
Fax +4930 8106-26 00
www.assaabloy.de

ASSA ABLOY, the global leader
in door opening solutions